

GRAM



FS 3125-90

EN

User guide

DA

Betjeningsvejledning

SV

Bruksanvisning

NO

Bruksanvisning

FI

Käyttöohjeet



WARNING!

In order to ensure a normal operation of your freezing appliance, which uses a completely environmentally friendly refrigerant the R600a (Flammable only under certain conditions) you must observe the following rules:

- ◆ Do not hinder the free circulation of the air around the appliance.
- ◆ Do not use mechanical devices in order to accelerate the defrosting other than the ones recommended by the manufacturer.
- ◆ Do not destroy the refrigerating circuit.
- ◆ Do not use electric appliances inside the food keeping compartment other than those that might have been recommended by the manufacturer.

ADVARSEL!

For at sikre en normal funktion af fryseskabet, der anvender et komplet miljøvenligt kølemiddel, R 600a (Kun brændbar under visse betingelser), skal du overholde følgende regler:

- ◆ Undlad at hindre den frie luftcirkulation rundt om apparatet.
- ◆ Der må ikke anvendes mekanisk udstyr, ud over det af producenten anbefalede, til at fremskynde afrimningsprocessen.
- ◆ Undgå at beskadige kølekredsløbet.
- ◆ Undlad at bruge elektrisk udstyr inde i rummet, hvor der opbevares mad, ud over de steder, som producenten evt. har anbefalet.

VARNING!

För att säkerställa normal användning av frysskåpet, som utnyttjar helt miljöanpassade kylmedlet R600a (Endast antändbart under vissa förhållanden) måste du iaktta följande regler:

- ◆ Hindra inte fri luftcirkulation runt frysskåpet.
- ◆ Använd inga mekaniska enheter för att påskynda avfrostningen, förutom det som rekommenderas av tillverkaren.
- ◆ Skada inte kylningskretsen.
- ◆ Använd inga elektriska enheter inuti matsignalfacket, utöver det som rekommenderas av tillverkaren.

ADVARSEL!

For å sikre normal drift av fryseskapet, som bruker en fullstendig miljøvennlig kjølevæske – R600a (Kun antennelig under bestemte forhold), må du overholde følgende regler:

- ◆ Ikke blokker den frie luftsirkulasjonen rundt apparatet.
- ◆ Ikke bruk mekanisk utstyr for å akselerere avisingsprosessen annet enn slikt utstyr som produsenten anbefaler.
- ◆ Pass på så du ikke ødelegger kjølekretsen.
- ◆ Ikke bruk elektriske apparater inne i de delene av skapet der du lagrer mat, såfremt de ikke er av en slik type som produsenten anbefaler.

VAROITUS!

Laitteen kylmäaineena on ympäristöystävällinen R600a (syttyvää vain tietyissä olosuhteissa). Jotta laite toimisi normaalisti, on noudatettava seuraavia ohjeita:

- ◆ Älä estä ilman vapaata kiertoa laitteen ympäri.
- ◆ Älä käytä mekaanisia välineitä sulatuksen nopeuttamiseen, paitsi sellaisia, joita valmistaja suosittelee.
- ◆ Älä vahingoita jäähdytyspiiriä.
- ◆ Älä käytä ruokalokeroiden sisällä sähkölaitteita, jollei valmistaja niin suosittele.

EN Index

Safety first /1
Electrical requirements /2
Transportation instructions /2
Installation instructions /2
Temperature control and adjustment /3
Before operating /3
Freezer control panel /4
Fast freeze function /4
Storing frozen food /4
Freezing fresh food /4
Making ice cubes /5
Getting to know your appliance /5
Defrosting /5
Cleaning and care /5
How to reverse the door /5
Do's and Don'ts /6
Troubleshooting /7
Energy Consumption /7
Information concerning the noise /7
Technical data /8

DA Register

Vigtige sikkerhedsanvisninger /9
Krav til el-installationen /10
Transportvejledning /10
Installationsvejledning /10
Temperaturkontrol og –regulering /11
Før ibrugtagning /11
Fryserens betjeningspanel /12
Hurtig-frys knap /12
Opbevaring af frostvarer /12
Frysning af friske madvarer /12
Fremstilling af isterninger /13
Dus med dit fryseskab /13
Afrimning /13
Rengøring og vedligeholdelse /13
Sådan vender du døren /13
Husk at og Undlad at /14
Fejlfinding /15
Energiforbrug /15
Information om støj /15
Tekniske data /16

SV Index

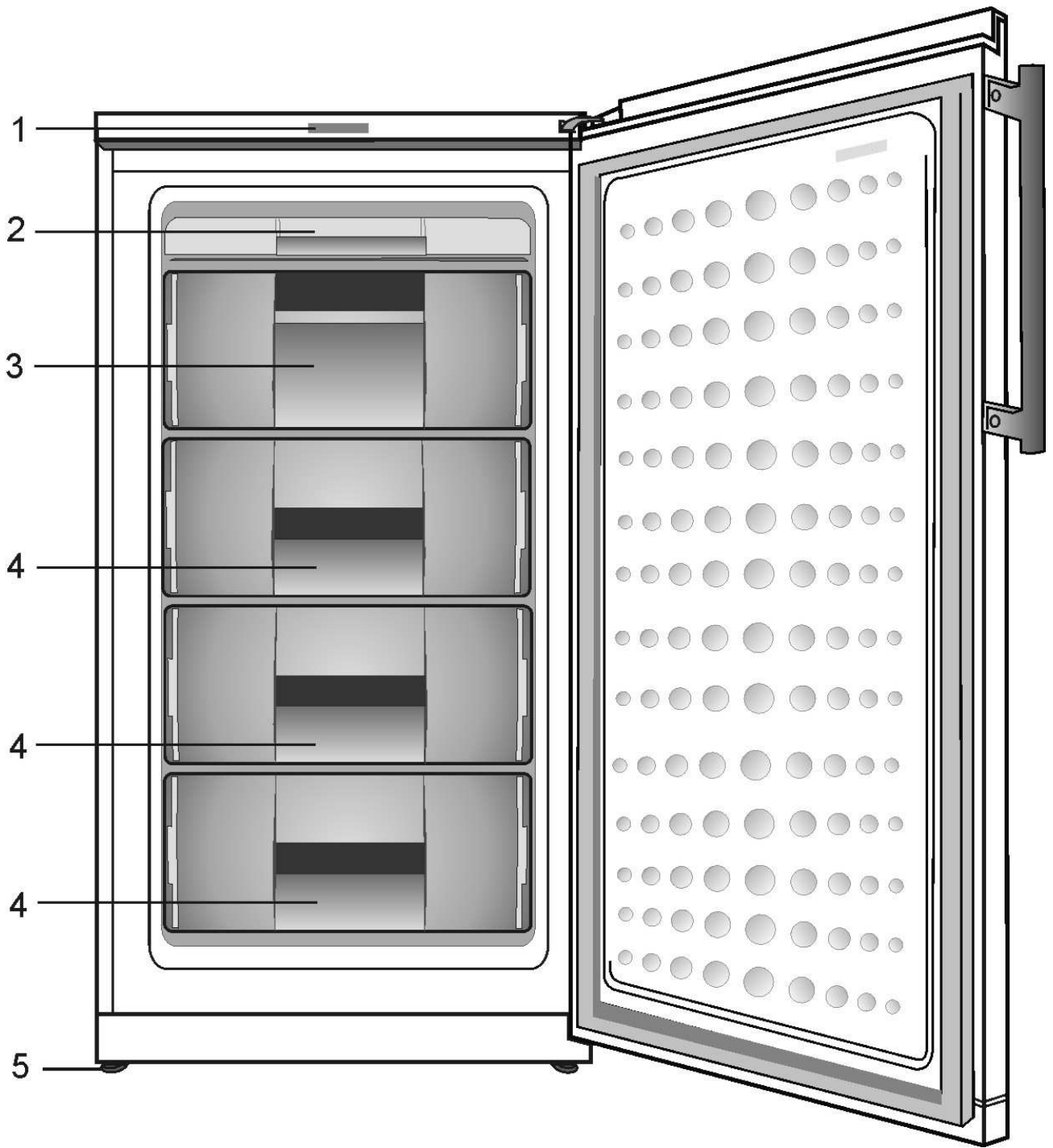
Säkerheten först /17
Krav för elanslutning /18
Transportinstruktioner /18
Installationsinstruktioner /18
Temperaturkontroll och justering /19
Innan du använder frysskåpet /19
Kontrollpanel för frys /20
Snabbfrysningssfunktion /20
Förvaring av fryst mat /20
Infrysning av färsk mat /20
Göra isbitar /21
Lär känna ditt frysskåp /21
Avfrostning /21
Rengöring och vård /21
Omhängning av dörrarna /21
Kom ihåg att göra och undvika /22
Felsökning /23
Energiförbrukning /23
Information rörande ljud /23
Tekniska data /24

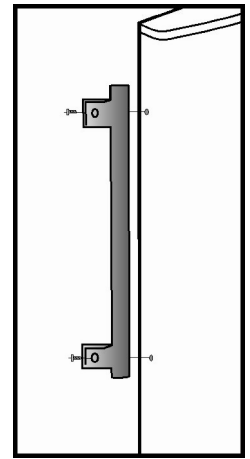
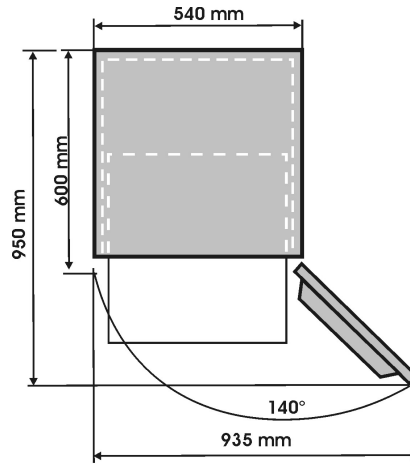
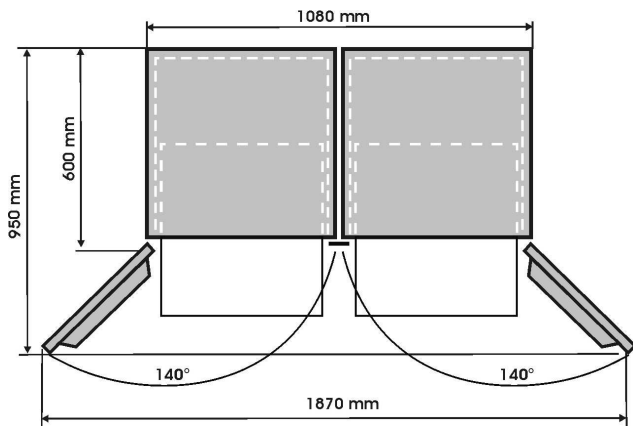
NO Indeks

Sikkerheten først /25
Krav til det elektriske anlegget /26
Transportanvisninger /26
Installasjonsanvisninger /26
Temperaturkontroll og justering /27
Før bruk /27
Fryserkontrollpanel /28
Hurtigfrysfunksjon /28
Lagring av frosne matvarer /28
Frysing av ferske matvarer /28
Lag isbiter /29
Bli kjent med apparatet /29
Avrimning /29
Rengjøring og stell /29
Montering av døren /29
Ting du må gjøre og ting du ikke må gjøre /30
Feilsøking /31
Energiforbruk /31
Informasjon vedrørende støy /31
Tekniske data /32

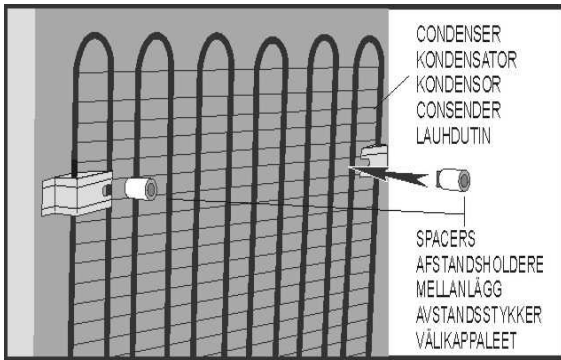
FI Hakemisto

Tärkeitä turvaohjeita /33
Sähkötekniset vaatimukset /34
Kuljetusohjeet /34
Asennusohjeet /34
Lämpötilan ohjaus ja säätö /35
Ennen käyttöönottoa /35
Pakastimen ohjauspaneeli /36
Pikapakastustoiminto /36
Pakastetun ruuan säilyttäminen /36
Tuoreen ruuan pakastaminen /36
Jääpalojen teko /37
Laitteen osat /37
Sulattaminen /37
Puhdistus ja huolto /37
Oven kätisyyden vaihto /37
Tärkeää! /38
Vianetsintä /39
Energiankulutus /39
Tietoja käyttöäänistä /39
Tekniset tiedot /40

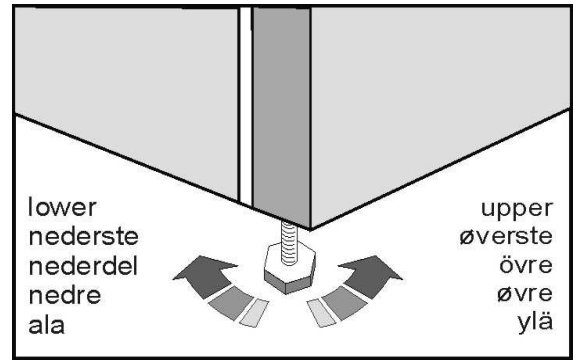




2



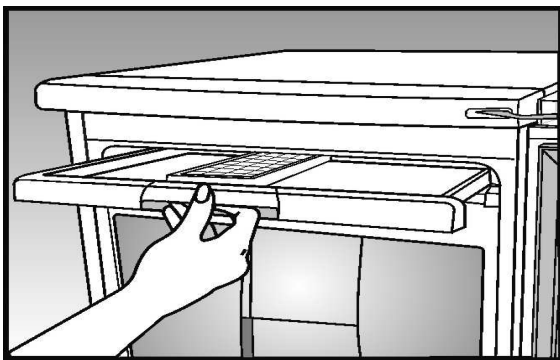
3



4



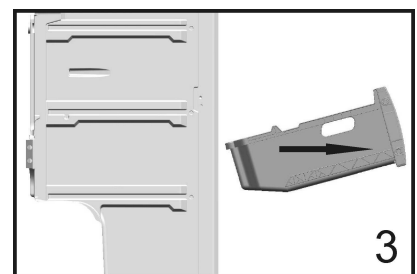
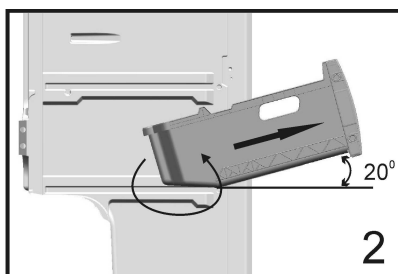
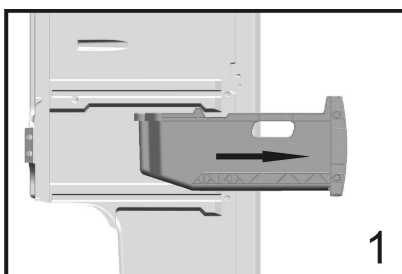
5



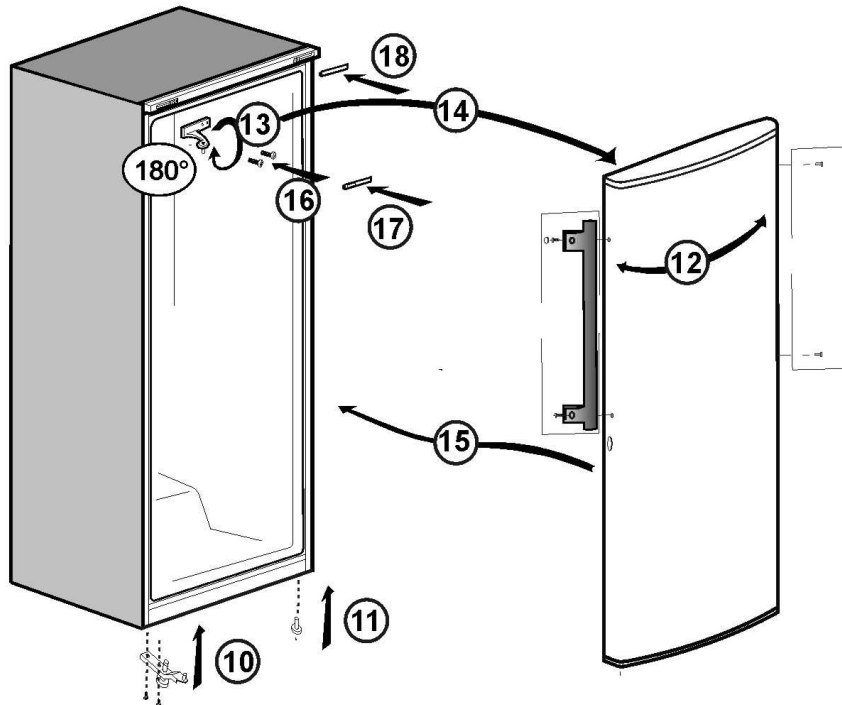
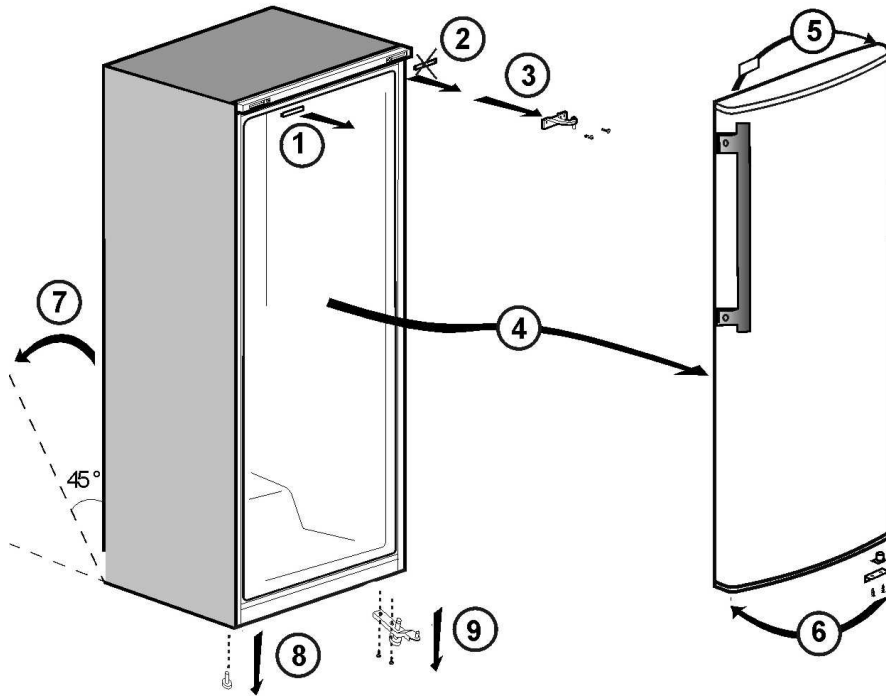
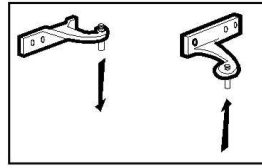
6



7



(13)



Congratulations on your new GRAM freezer.

Safety first!

Do not connect your appliance to the electricity supply until all packing and transit protectors have been removed.

- Leave to stand for at least 4 hours before switching on, to allow the compressor oil to settle if transported horizontally.
- If you are discarding an old appliance with a lock or a latch fitted to the door, ensure that it is left in a safe condition to prevent the entrapment of children.
- This appliance must only be used for its intended purpose.
- Do not dispose of the appliance on a fire. Your appliance contains non CFC substances in the insulation which are flammable. We suggest that you contact your local authority for information on disposal and available facilities.
- We do not recommend the use of this appliance in an unheated, cold room (E.g. garage, conservatory, annex, shed, out-house etc.).

To obtain the best possible performance and problem-free operation from your appliance it is very important to read the user guide carefully. Failure to observe the user guide may reduce your right to free service during the guarantee period.

Please keep the user guide in a safe place for easy reference.

This appliance is not intended for people with reduced physical, sensory or mental capabilities or lack of experience and knowledge unless they have been supervised or instructed in the use of the appliance by a person responsible for their safety.

Children should be supervised to ensure that they do not play with the appliance.

Electrical requirements

Before inserting the plug into the socket make sure that the voltage and the frequency shown in the rating plate inside the appliance corresponds to your electricity supply. We recommend that this appliance is connected to the mains supply via a suitably switched and fused socket in a readily accessible position.

The plug has to be accessible after installation in order to allow disconnection of the appliance from the supply after installation.

Warning! This appliance must be earthed.

Repairs to the electrical equipment may only be made by qualified technicians. If the power cable is damaged, the manufacturer or GRAM service must replace it in order to avoid danger.

ATTENTION!

This appliance operates with R600a which is an environmental friendly but flammable gas. During the transportation and fixing of the product, care must be taken not to damage the cooling system. If the cooling system is damaged and there is a gas leakage from the system, keep the product away from open flame sources and ventilate the room for a while.

WARNING - Do not use electrical devices or other means to accelerate the defrosting process, others than those recommended by the manufacturer.

WARNING - Do not damage the refrigerant circuit.

Transportation instructions

1. The appliance should only be transported in an upright position. The packaging must be intact during transportation.
2. If the appliance has been positioned horizontally during transportation, it must not be operated for at least 12 hours to allow the system to settle.

3. Failure to comply with the above instructions could result in damage to the appliance for which the manufacturer will not be held liable.

4. The appliance must be protected against rain, moisture and other atmospheric influences.

Important!

- Avoid touching the bottom of the condenser metal wires at the back of the appliance while cleaning or carrying the appliance as you may receive injuries to your fingers and hands.
- Do not attempt to sit or stand on top of your appliance as it is not designed for such use. You could be injured or damage the appliance.
- Make sure that the mains cable is not caught under the appliance during and after moving it as this could damage the cable.
- Do not allow children to play with the appliance or tamper with the controls.

Installation instructions

1. Do not keep your appliance in a room where the temperature is likely to fall below +10°C (50°F), as it is designed to operate in ambient temperatures between +10°C and +43°C (50°F and 90°F). The appliance may not operate at lower temperatures, resulting in a reduction in the shelf life of the food.

2. Do not place the appliance near cookers or radiators or in direct sunlight, as this will cause extra strain on the appliance's functions. If installed next to a heat source, maintain the following minimum side clearances:

From Cookers 30 mm

From Radiators 300 mm

3. Make sure that sufficient room is provided around the appliance to ensure free air circulation.

- Place the spacer on the back of your freezer to set the distance between the freezer and the wall (**Fig. 3**).

4. The appliance should be positioned on a level surface. The two front feet can be adjusted as required. To ensure that your appliance is standing upright adjust the two front feet by turning them either clockwise or anti-clockwise, until firm contact is secured with the floor. Correct adjustment of the feet prevents excessive vibration and noise (**Fig. 4**).
5. Refer to the "Cleaning and Care" section to prepare your appliance for use.
6. If you want to place two products side by side, e.g. a refrigerator and a freezer, as a side by side solution you have to use a decoration kit which contains a small mat and a decoration part. The mat is mounted on the side of one of the products to create a space between the products. The decoration part is placed between the products to hide the gap between the products (**Fig. 2**). The decoration kit is not a part of the product but can be delivered as an accessory.

Temperature control and adjustment

The freezer temperature is influenced by the thermostat control (**The recommended positions are either 2 or 3**) (**Fig. 5**). In general, this temperature is below -18°C . Lower temperatures can be obtained by adjusting the thermostat control towards the position MAX. We recommend checking the temperature with a thermometer to ensure that the storage compartments are kept to the desired temperature. Remember to read off the thermometer immediately as the temperature on the thermometer will rise very rapidly after you remove it from the freezer. Please remember that each time the door is opened cold air escapes and the internal temperature rises. Therefore never leave the door open and ensure that it is closed immediately after the food is put in or removed.

Before operating

Final Check

Before you start using the freezer check that:

1. The legs have been adjusted for perfect levelling.
2. The interior is dry and that air can circulate freely at the back of the appliance.
3. The interior is cleaned as recommended under the section "Cleaning and care".

4. The plug is inserted into the socket and the electricity supply is switched on. Avoid unintentional disconnection by placing sticky tape on the switch.

And note that:

5. You will hear a noise as the compressor starts up. The liquid and gases sealed within the refrigeration system may also make some noise, whether the compressor is running or not. This is quite normal.
6. To freeze the fresh food use the compartment marked with 4 stars.
7. Do not put a too large quantity of food into the freezer. The food quality is kept if it is frozen as quick as possible. Therefore it is preferable not to exceed the freezing capacity of the appliance shown in the "Technical data" section. The thermostat control has to be adjusted in order to obtain the lowest temperature inside the freezer with the button on the freeze function and the orange LED indicator switched on.
8. After the time necessary to freeze the fresh foods is finished, place the thermostat control in a medium position (The orange LED indicator is not switched on).
9. Do not load the appliance immediately after it has been switched on. Wait until the correct storage temperature has been reached. We recommend that you check the temperature with an accurate thermometer (See the "Temperature Control and Adjustment" section).

Important Note:

In the event of an electrical cut do not open the door. Frozen food should not be affected if the it lasts for less than 18 hours. If the electrical cut lasts longer than 18 hours, then the food should be checked.

Freezer control panel

Fig. 5

The control panel adjusts the temperature in the freezer and has the following functions:

1 - Orange LED indicator - Fast freeze on

When you turn the thermostat control (4) to the position MAX, the orange LED indicator (1) is switched on and the compressor will run continuously. Remember to turn the thermostat control back to its previous position once the food is frozen.

2 - Green LED indicator - electricity on (Voltage)

Is switched on when the appliance is connected to the socket and remains switched on as long as the power is switched on. This green LED indicator does not provide information on temperature inside the freezer.

3 - Red LED indicator - High Temperature Alarm

4 - Setting the thermostat control

High temperature alarm

After the appliance is turned on for the first time the alarm is not active for 12 hours (The red LED indicator is switched off).

After this period of time the red LED indicator is switched on in the following situations:

- If the appliance is overloaded with fresh food
- If the door is left open by mistake.

In these situations the red LED indicator will continue to be switched on until the appliance reaches the preset temperature.

If the red LED indicator is still switched on the wait for 24 hours before calling GRAM service.

Important:

The temperatures obtained inside can vary according to the conditions of use of the appliance such as the location, the surrounding temperature, how often the door is opened, and the quantity of food. The temperature setting will be modified according to these conditions.

Fast freeze function

When you turn the thermostat control (4) to the position MAX, the orange LED indicator (1) is switched on and the compressor will run continuously.

Storing frozen food

Your freezer is suitable for the long-term storage of commercially frozen foods and also can be used to freeze and store fresh food.

Freezing fresh food

Please observe the following instructions to obtain the best results.

Do not freeze too large a quantity at any time. The quality of the food is best preserved when it is frozen right through to the core as quickly as possible.

If large amounts of fresh food have to be frozen, adjust the thermostat control to max. 24 hours before putting the fresh food in the fast freeze compartment.

It is strongly recommended to keep the thermostat control at the position MAX for least 24 hours to freeze the maximum amount of fresh food as stated in the section "Technical data" section. Take special care not to mix frozen and fresh food.

Remember to turn the thermostat control back to its previous position once the food is frozen.

Small quantities of food up to 1/2 kg (1 lb) can be frozen without using the fast freezer function.

Making ice cubes

(Fig. 6)

Fill the ice cube tray 3/4 full with water and place it in the freezer. Loosen frozen trays with a spoon handle or a similar instrument; never use sharp-edged objects such as knives or forks.

Getting to know your appliance

(Fig. 1)

- 1 - Control panel, display and adjustment
- 2 - Ice cube tray support and ice cube tray
- 3 - Compartment for quickly freezing
- 4 - Compartments for keeping frozen food
- 5 - Adjustable front legs

Defrosting

Please defrost the freezer compartment at least twice a year or when the ice layer is too thick.

- Ice build-up is a normal phenomenon.
- The ice build-up, especially in the upper side of the compartment is a natural phenomenon and does not affect the functioning of the appliance.
- It is recommended to defrost the appliance when the quantity of frozen food is not too big.
- Before the defrosting set the adjusting thermostat control on the maximum position in order to freeze the foods.
- Unplug the appliance
- Take out the frozen foods, pack them in several paper sheets and put them in a cool place.
- Let the door open for a quick defrosting and put inside vessels with warm water (Max.80°C). Do not use pointed or sharp-edged objects such as knives or forks to remove the frost. Never use hairdryers, electrical heaters or other similar electrical appliances for defrosting.

When defrosting has finished, close the defrosted part and dry the interior thoroughly (Fig. 7).

Press the fast-freeze switch, and leave it on for about three hours.

To take out the baskets from the freezer compartment and proceed as in **fig. 8**.

Cleaning and care

1. We recommend that you switch off the appliance at the socket and pull out the mains plug before cleaning.
2. Never use any sharp instruments or abrasive substances, soap, household cleaner, detergent or wax polish for cleaning.
3. Use luke warm water to clean the cabinet of the appliance and wipe it dry.
4. Use a damp cloth wrung out in a solution of one teaspoon of sodium bicarbonate to one pint of water to clean the interior and wipe it dry.
5. If the appliance is not going to be used for a long period of time, switch it off, remove all food, clean it and leave the door ajar.
6. We recommend that you polish the metal parts of the product (I.e. door exterior, cabinet sides) with a wax containing silicone (Polish for cars) to protect the high quality paint finish.
7. Any dust gathered on the condenser, located at the back of the appliance, should be cleaned once a year with a vacuum cleaner.
8. Check door seals regularly to ensure that they are clean and free from food particles.
9. Never:
 - Clean the appliance with unsuitable material; such as petroleum based products.
 - Subject it to high temperatures in any way,
 - Scour, rub etc., with abrasive material.
10. Excess deposit of frost should be removed regularly. Large accumulation of frost will impair the performance of the freezer.
11. To remove a drawer, pull it as far as possible, tilt it upwards and then pull it out completely.

How to reverse the door

Proceed in numerical order (Fig. 9).

Do's and Don'ts

- Do** check the content of the freezer at regular intervals.
- Do** clean and defrost your appliance regularly (See the "Defrosting" section).
- Do** keep food for as short a time as possible and adhere to "Best Before" and "Use By" dates.
- Do** store frozen food in accordance with the instructions on the packets.
- Do** prepare fresh food for freezing in small portions to ensure rapid freezing.
- Do** wrap the frozen food immediately after purchasing and put it in to the freezer as soon as possible.
- Don't** leave the door open for long periods of time, as this will make the appliance more costly to run and cause excessive ice formation.
- Don't** use sharp edged objects such as knives or forks to remove the ice.
- Don't** put liquid-filled bottles or sealed cans containing carbonated liquids into the freezer, as they may burst.
- Don't** store poisonous or any dangerous substances in your appliance. It has been designed for the storage of edible food only.
- Don't** exceed the maximum freezing capacity when freezing fresh food.
- Don't** consume ice cream and watery ice directly from the freezer. The low temperature may cause 'freezer burns' on the lips.
- Don't** freeze fizzy drinks.
- Don't** try to keep frozen food which has thawed; it should be eaten within 24 hours or cooked and refrozen.

Troubleshooting

If the appliance does not operate when switched on then check;

- That the plug is inserted properly in the socket and that the power supply is on. (To check the power supply in the socket, plug in another appliance)
- Whether the fuse has blown, the circuit breaker has tripped or whether the main distribution switch has been turned off.
- That the temperature control has been set correctly.
- That the new plug is wired correctly, if you have changed the fitted, moulded plug.

If the appliance is still not operating at all after above checks, contact GRAM service.

Please ensure that above checks have been carried out, as you will be invoiced for the service visit if no faults have been found.

Energy Consumption

Maximum frozen food storage volume is achieved without using the 2 middle drawers and the upper shelf the cover provided in the freezer compartment. The energy consumption of your appliance is based on the freezer compartment being fully loaded without using the 2 middle drawers and the upper shelf cover.

Practical advice concerning the reduction of the electricity consumption

1. Make sure that the appliance is located in well-ventilated areas, far from any source of heat (Cooker, radiator etc.). At the same time, the appliance should be kept away from sunlight.
2. Make sure that the frozen food is placed into the appliance as soon as possible, especially during summertime. It is recommended to use thermal insulated bags to transport the food home.
3. Do not keep the door of the appliance open more than necessary and make sure that after each opening the door is well closed.

Information concerning the noise and the vibrations which might appear during the operation of the appliance

1. The operation noise can increase during the operation.

- In order to keep the temperatures at the adjusted level, the compressor of the appliance starts periodically. The noise produced by the compressor becomes stronger when it starts and a click can be heard when it stops.

- The performance and operation features of the appliance can change according to the modifications of the temperature in the surrounding environment. This must be considered to be normal.

2. Noises like liquids flowing or as being sprayed

- These noises are caused by the flow of the refrigerant in the circuit of the appliance and comply with the operation principle of the appliance.

3. Other vibrations and noises.


- The level of noise and vibrations can be caused by the type and the aspect of the floor on which the appliance is placed. Make sure that the floor does not have significant level distortions or if it can yield to the weight of the appliance (It is flexible).

- Another source of noise and vibrations is represented by the objects placed on the appliance. These objects must be removed from the appliance

Technical data

Brand	GRAM
Model	FS 3125-90
Appliance type	UPRIGHT FREEZER * ** *
Gross volume (liter)	127
Net volume (liter)	117
Freeze capacity (kg/24 h)	10
Energy class (1)	A+
Power consumption (kWh/year) (2)	210
Safety during electricity cut (hours)	18
Noise dB(A)	40
Environmentally friendly refrigerating agent R600a	
(1) Energy class : A++D (A++ = economical . . . D = less economical)	
(2) The real power consumption depends on using conditions and appliance location.	



The symbol  on the product or on the packaging indicates that this product must not be treated as household waste. Instead it has to be handed over to the existing place collection for the recycling of electrical and electronic equipment. By ensuring the correct removal of this product, you help preventing the potential negative consequences for the environment and human health, which could be caused by the inappropriate waste handling of this product. For more detailed information about the recycling of this product, please contact your local government offices, your household waste disposal service or the shop where you purchased the product.

Tillykke med dit nye GRAM fryseskab

Vigtige sikkerhedsanvisninger!

Undlad at tilslutte apparatet til strømforsyning før alle pakke- og transportbeskyttelser er fjernet.

- Lad apparatet stå i mindst 4 timer, før du tænder for det. Dette sikrer, at kompressorolien kan løbe på plads, hvis apparatet er blevet transporteret liggende.

- Hvis du kasserer et brugt apparat udstyret med dørlås eller smæklås, er det vigtigt at være opmærksom på at sikre apparatet for at forhindre, at børn kan blive spærret inde i det.

- Dette apparat må kun anvendes til det tilsigtede formål.

- Bortskaf ikke apparatet ved at brænde det. Dit apparat indeholder CFC-fri stoffer i isoleringen, som er brandbare. Vi foreslår, at du kontakter kommunen for information om bortskaffelse.

- Vi fraråder anvendelse af dette apparat i uopvarmede, kolde rum (Som f.eks. garage, vinterhave, annek, skur, udhus, osv.).

For at få størst mulig nytte af dit apparat og for at sikre en problemfri funktion, er det meget vigtigt, at du læser denne betjeningsvejledning grundigt. Hvis betjeningsvejledningen ikke følges, kan det medføre, at retten til gratis service i garantiperioden bortfalder. Opbevar denne betjeningsvejledning på et sikkert sted, hvor den er nem at komme til.

Dette apparat er ikke beregnet til anvendelse af personer med reducerede fysiske, følelsesmæssige eller mentale evner eller mangel på erfaring og viden, med mindre de er blevet overvåget eller har fået instruktion i brugen af apparatet af en person, der er ansvarlig for deres sikkerhed.

Børn skal overvåges for at sikre, at de ikke leger med apparatet.

Krav til el-installationen

Før stikket sluttes til stikkontakten, skal du kontrollere, at den spænding og frekvens, der fremgår af typeskiltet inde i apparatet, svarer til netspændingen hos dig.

Vi anbefaler, at dette apparat sluttes til en let tilgængelig stikkontakt, som er beskyttet med en passende sikring samt forsynet med en afbryder.

Advarsel! Dette apparat skal jordforbindes.

Reparationer af det elektriske udstyr må kun udføres af kvalificerede teknikere. Hvis forbindelseskablet er beskadiget, skal producenten eller Gram service udskifte det for at undgå fare.

BEMÆRK!

Dette apparat bruger R600a, som er en miljøvenlig, men brændbar gas. Under transporten og under monteringen af produktet skal der udvises forsigtighed for at undgå at beskadige kølesystemet. Hvis kølesystemet beskadiges, og der bliver en gaslækage fra systemet, skal produktet holdes væk fra åben ild, og rummet skal luftes ud.

ADVARSEL - Der må ikke anvendes elektriske apparater eller andre midler ud over de af producenten anbefalede, for at fremskynde afrimningsprocessen.

ADVARSEL - Undgå at beskadige kølekredsløbet.

Transportvejledning

1. Apparatet bør kun transporteres i lodret stilling. Emballagen skal være intakt under transporten.
2. Hvis apparatet har været placeret liggende under transporten, må det ikke betjenes i mindst 12 timer for at give systemet tid til at stabilisere sig.

3. Hvis ovenstående retningslinier ikke overholdes, kan det medføre beskadigelse af apparatet, som ikke er dækket af producentens garantiforpligtelse.
4. Apparatet skal beskyttes mod regn, fugt og andre atmosfæriske påvirkninger.

Vigtigt!

- Undgå at røre bunden af kondensatorens metalribber bag på apparatet under rengøring eller flytning af apparatet, da dette kan medføre læsion af fingre og hænder.
- Undlad at sidde eller stå oven på apparatet, da det ikke er beregnet til det. Du kan selv komme til skade eller komme til at beskadige apparatet.
- Kontrollér, at netledningen ikke kommer i klemme under apparatet under og efter flytning, da dette kan beskadige ledningen.
- Lad ikke børn lege med apparatet eller pille ved knapperne.

Installationsvejledning

1. Undlad at installere apparatet i rum, hvor temperaturen kan falde til under 10 °C, da det er beregnet til at fungere i omgivende temperaturer mellem +10 og +43 °C. Apparatet fungerer måske ikke ved lavere temperaturer, hvilket kan resultere i en reduktion i madvarernes holdbarhed.
2. Undlad at placere apparatet tæt ved komfurer, radiatorer eller i direkte sollys, da dette vil medføre en øget belastning af apparatets funktioner. Hvis apparatet installeres i nærheden af en varmekilde, skal følgende minimumsafstande overholdes:
Fra komfurer 30 mm
Fra radiatorer 300 mm
3. Kontrollér, at der er tilstrækkelig plads omkring apparatet for at sikre fri luftcirkulation.
 - Sæt afstandsstykket på bagsiden af fryseskabet for at justere afstanden mellem fryseskabet og væggen (**Fig. 3**).

4. Apparatet skal placeres på en jævn overflade. De to forreste ben kan justeres efter behov. For at sikre at apparatet står lodret, skal de to forreste ben drejes med eller mod uret, indtil de er i fast kontakt med gulvet. Ved korrekt justering af benene reduceres vibrationer og støj (**Fig. 4**).

5. Se afsnittet "Rengøring og vedligeholdelse" for at forberede apparatet til brug.

6. Hvis du ønsker at placere f.eks. et køleskab og et fryseskab ved siden af hinanden som en "side-by-side" løsning, skal du benytte et monterings sæt, som indeholder en lille måtte og en dekorationsliste. Måtten skal monteres på siden af det ene skab, sådan at der er lidt luft mellem skabene. Dekorationslisten monteres mellem de 2 skabe, sådan at den skjuler mellemrummet mellem skabene (**Fig 2**). Monterings sættet er ikke en del af produktet, men kan leveres som tilbehør.

Temperaturkontrol og -regulering

Frysertemperaturen afhænger af indstillingen på fryserknappen (**Den anbefalede indstilling er 2 eller 3**) (**Fig. 5**).

Denne temperatur er generelt under -18°C .

Lavere temperaturer kan generelt opnås ved at justere termostatknapen mod positionen MAX. Vi anbefaler, at du kontrollerer temperaturen med et termometer for at sikre, at opbevaringsrummene holdes på den ønskede temperatur. Husk at aflæse med det samme, da termometerets temperatur vil stige meget hurtigt, efter du har taget det ud af fryseren. Husk på, at der kommer kold luft ud hver gang døren åbnes, og den indvendige temperatur stiger. Derfor skal du aldrig efterlade døren åben, og du skal sørge for, at den lukkes straks efter, at der er ilagt eller fjernet madvarer.

Før ibrugtagning

Den sidste kontrol

Før du begynder at bruge fryseren, bør du kontrollere at:

1. Benene er justeret, så apparatet står fuldstændig plant.
2. Apparatet er tørt indeni, og at luften kan cirkulere frit bag det.
3. Apparatet er rengjort sådan som anbefalet under afsnittet "Rengøring og vedligeholdelse".

4. Stikket er sat i stikkontakten, og at der er tændt for strømmen. Undgå uforsætlig afbrydelse ved at sætte tape på kontakten.

Og bemærk at:

5. Der vil kunne høres en lyd, når kompressoren starter. Kølevæsken og luftarterne, der findes i kølesystemet, kan også støje lidt, uanset om kompressoren kører eller ej. Det er ganske normalt.
6. Til at fryse friske madvarer bruges afdelingen, som er markeret med 4 stjerner.
7. Fyld ikke for store mængder af madvarer ind i apparatet på samme tid. Madens kvalitet bevares bedst, hvis maden fryses så hurtigt som muligt. Derfor anbefaler vi ikke at overskride apparatets indfrysningsskapacitet vist under afsnittet "Tekniske data". For at opnå den laveste temperatur i inde i fryseren, skal termostaten indstilles med knappen for hurtig-frys funktion og den orange LED indikator vil lyse.
8. Efter den nødvendige tid til at nedfryse de friske madvarer, skal du indstille termostatknapen til en mellem-position (Den orange LED indikator lyser ikke).
9. Fyld ikke apparatet op umiddelbart efter at have tændt for det. Vent til den korrekte opbevaringstemperatur er nået. Vi anbefaler, at du kontrollerer temperaturen med et nøjagtigt termometer (Se afsnittet "Temperaturkontrol og -regulering").

Vigtig bemærkning:

Undlad at åbne døren i tilfælde af strømafbrydelse. Frossen mad skulle ikke blive berørt, hvis afbrydelsen varer mindre end 18 timer. Hvis afbrydelsen varer længere, skal madvarerne kontrolleres.

Fryserens betjeningspanel

Fig. 5

Betjeningspanelet bruges til at indstille temperaturen i fryseren og har følgende funktioner:

1 - Orange LED indikator - Hurtig-frys er tændt

Når du drejer termostatknapen (4) til den maksimale position, vil den orange LED indikator (1) lyse, og kompressoren vil arbejde uafbrudt. Husk at dreje termostatknapen tilbage til den oprindelige position, når madvarerne er frosne.

2 - Grøn LED indikator - tilsluttet strøm (Spænding)

Lyser, når apparatet er tilsluttet strømmen og vil lyse, så længe strømmen er tilsluttet. Den grønne LED indikator giver ikke oplysninger om temperaturen inde i fryseren.

3 - Rød LED indikator - Alarm for høj temperatur

4 - Knap til temperaturindstilling

Alarm for høj temperatur

Når apparatet tændes første gang, vil alarmen først aktiveres efter 12 timer (Den røde LED indikator er slukket).

Efter denne periode kan den røde LED indikator lyse i følgende tilfælde:

- Hvis apparatet er overfyldt med friske madvarer
- Hvis døren er åben.

I disse tilfælde vil den røde LED indikator lyse indtil apparatet har nået den indstillede temperatur.

Hvis den røde lampe er tændt, så vent 24 timer, før du tilkalder GRAM service.

Vigtigt:

Den opnåede temperatur kan variere afhængig af fryserens anvendelsesforhold, som f.eks. placering, omgivende temperatur, hvor ofte døren åbnes samt mængden af madvarer. Temperaturindstillingerne vil blive tilpasset disse forhold.

Hurtig-frys funktion

Når du drejer termostatknapen (4) til den maksimale position, vil den orange LED indikator lyse og kompressoren vil arbejde uafbrudt.

Opbevaring af frostvarer

Din fryser er egnet til langtidsopbevaring af varer, som købes frosne. Den kan også anvendes til nedfrysning og opbevaring af friske madvarer.

Undlad at åbne døren i tilfælde af strømafbrydelse. Frosne madvarer burde ikke tage skade, hvis strømafbrydelsen varer mindre end 18 timer. Hvis afbrydelsen varer længere, bør madvarerne kontrolleres.

Frysning af friske madvarer

Ved at følge nedenstående retningslinier, opnås de bedste resultater.

Frys ikke for store mængder ad gangen. Madvarernes kvalitet bevares bedst, hvis de indfryses så hurtigt som muligt.

Hvis man ønsker at nedfryse store mængder madvarer, skal termostatknapen indstilles til positionen MAX før de ferske madvarer lægges i hurtig-frys rummet.

Det anbefales på det kraftigste at holde termostatknapen på positionen MAX i mindst 24 timer for at nedfryse store mængder af friske madvarer, der er angivet som frysekapacitet. Vær især opmærksom på ikke at blande allerede frosne madvarer med friske madvarer.

Husk at dreje termostatknapen tilbage til den oprindelige position, når maden er frosset. Små mængder af madvarer op til 1/2 kg kan fryses uden hurtig-frys funktionen.

Fremstilling af isterninger

(Fig. 6)

Fyld isterningbakken 3/4 op med vand og sæt den i fryseren. Hvis bakken fryser fast, løsnes den med skaffet på en ske eller lignende; brug aldrig skarpe redskaber som f.eks. knive eller gafler.

Dus med dit apparat

(Fig. 1)

- 1 - Betjeningspanel, visning og regulering
- 2 - Indfrysingsbakke og isterningbakke
- 3 - Afdeling til hurtigfrys
- 4 - Afdeling til at opbevare frossen mad
- 5 - Justerbare ben

Afrimning

Afrim fryserafdelingen mindst to gange om året, når islaget er for tykt.

- Isdannelsen er et normalt fænomen.
- Isdannelsen, særligt på den øverste side af fryserafdelingen, er et normalt fænomen og påvirker ikke fryserens funktion.
- Vi anbefaler, at fryseren afrimes, når der ikke er så meget frossen mad i fryseren.
- Inden afrimning justeres termostatknappen til en maks. position, så maden opbevares frossen.
- Tag apparatets stik ud af stikkontakten.
- Tag den frosne mad ud, pak den ind i flere lag papir og læg den et koldt sted.
- Hold døren åben for hurtig afrimning og sæt beholdere med varmt vand (Maks. 80 °C). i fryseren.

Der må ikke benyttes spidse eller skarpe genstande som knive og gafler til at fjerne islaget.

Brug aldrig hårtørrer, elektriske varmeovne eller lignende el-apparater til afrimning. Når afrimningen er færdig, luk den afrimede del og tør indersiden grundigt.

(Fig. 7).

Tænd for hurtig-frys og lad den være tændt i omkring 3 timer.

For at tage skufferne ud af fryseren, følg vejledningen i **Fig. 8**.

Rengøring og vedligeholdelse

1. Vi anbefaler, at du slukker for apparatet på stikkontakten, og at stikket trækkes ud før rengøring.
2. Brug aldrig skarpe instrumenter eller slibematerialer, sæbe, husholdningsrengøringsmidler, vaskepulver eller polérvoks til rengøring.
3. Vask kabinettet i lunkent vand og tør det af med en klud.
4. Anvend en fugtig klud vredet op i en opløsning af én teskefuld natriumbikarbonat (Tvekulsurt natron) til 1/2 liter vand til rengøring af indersiderne, og tør efter med en klud.
5. Hvis apparatet ikke skal benyttes i længere tid: Sluk for det, fjern alle madvarer, rengør det, og lad døren stå på klem.
6. Vi anbefaler, at apparatets metaldele (Dvs. dørenes yderside, kabinettets sider) poleres med en silikonevoks (Polish til biler) for at beskytte den høj kvalitetslakerede overflade.
7. Støv, der samler sig på kompressoren på bagsiden af apparatet, bør fjernes en gang om året med en støvsuger.
8. Kontroller gummilisterne jævnlige for sikre, at de er rene og fri for madpartikler.
9. Man må aldrig:
 - Rengøre apparatet med uegnede materialer, som f.eks. opløsningsmiddelbaserede produkter.
 - På nogen måde udsætte det for høje temperaturer,
 - Skure, skrubbe osv. med slibende materialer.
10. Større mængder is bør fjernes regelmæssigt. Store lag af is vil forringe fryserens effektivitet.
11. For at flytte en skuffe skal den trækkes så langt ud som muligt, vip den opad og træk den så helt ud.

Sådan vender du døren

Fortsæt i numerisk rækkefølge (**Fig. 9**).

Husk at og Undlad at

- Husk at** kontrollere fryserens indhold jævnligt.
- Husk at** rengøre og afrime apparatet med jævne mellemrum (Se afsnittet "Afrimning")
- Husk at** opbevare madvarer så kort tid som muligt og overholde altid "Bedst før" og "Holdbar til" angivelserne.
- Husk at** opbevare færdigfrosne produkter i overensstemmelse med vejledningen på pakken.
- Husk at** nedfryse friske madvarer i små portioner for at sikre en hurtig nedfrysning.
- Husk at** emballere frostvarer umiddelbart efter indkøb og lægge dem i fryseren så hurtigt som muligt.

- Undlad at** lade døren stå åben i længere tid ad gangen da det vil øge driftsomkostningerne og føre til kraftig isdannelse.
- Undlad at** bruge skarpe genstande såsom knive og gafler til at fjerne isen.
- Undlad at** lægge flasker med flydende indhold eller dåser med kulsyreholdige drikke i fryseren, da de kan eksplodere.
- Undlad at** opbevare giftige eller farlige produkter i apparatet. Det er udelukkende beregnet til opbevaring af levnedsmidler
- Undlad at** overskride den maksimale indfrysningkapacitet ved frysning af friske madvarer.
- Undlad at** spise is og vandis direkte fra fryseren. Den lave temperatur kan forårsage forfrysninger på læberne.
- Undlad at** fryse kulsyreholdige drikkevarer.
- Undlad at** forsøge at opbevare optøede frosne madvarer. De bør spises inden for 24 timer eller tilberedes og genindfryses.

Fejlfinding

Hvis apparatet ikke går i gang, når der tændes for det, kontrollér:

- Om stikket sidder rigtigt i stikkontakten, og at der er tændt for kontakten. (Tilslut et andet apparat for at kontrollere, om der er strøm på kontakten)
- Om der er sprunget en sikring, HFI-relæet er slået fra eller om der er slukket for hovedafbryderen.
- Om termostaten er indstillet korrekt.
- Om det nye stik er monteret korrekt i tilfælde af at du har udskiftet det fabriksmonterede, støbte stik.

Hvis apparatet fortsat ikke går i gang efter ovenstående er kontrolleret, bør du kontakte GRAM service.

Det er vigtigt, at du foretager ovenstående kontrol, da du vil blive faktureret for servicebesøg, hvis der ingen fejl findes.

Energiforbrug

Den maksimale fryseplads til frosne madvarer kan opnås uden brug af to midterskuffer og det øverste hyldelåg i fryseren. Energiforbruget for dit apparat er angivet for et fyldt fryserum uden brug af de to midterskuffer og det øverste hyldelåg.

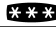
Praktiske råd om reduktion af strømforbrug.

1. Sørg for, at apparatet er placeret i et tilstrækkeligt ventileret rum og i god afstand fra varmekilder, såsom komfur, radiator, osv. Samtidig bør apparatet ikke udsættes for direkte sollys.
2. Sørg for, at madvarer købt i frossen tilstand placeres i apparatet hurtigst muligt, særligt i sommerperioden. Det anbefales at bruge termisk isolerede poser til at transportere madvarer hjem.
3. Åbn ikke fryseskabsdøren oftere end det er nødvendigt, og sørg for at lukke den tæt efter hver åbning.


Information om støj og vibrationer, der kan opstå under apparatets drift

1. Støjen kan øges under driften.
 - For at holde temperaturen på det indstillede niveau, starter apparatets kompressor med jævne mellemrum. Støjen produceret af kompressoren bliver højere når den starter, og du kan høre en klik-lyd når den stopper.
 - Apparatets ydeevne og driftsfunktioner kan ændre sig i henhold til temperaturændringer i det omgivende miljø. Det skal betragtes som normalt.
2. Lyde, der lyder som en skvulpende væske, eller som en væske, der sprøjter.
 - Disse lyde skyldes strømmen af kølemidlet i apparatets kredsløb og er i overensstemmelse med apparatets driftsprincipper.
3. Andre lyde og vibrationer.
 - Støjens og vibrationens niveau påvirkes af den type og tilstand af gulvet, apparatet er placeret på. Sørg for, at gulvet ikke er ujævnt eller at det kan give sig under vægten af apparatet.
 - Andre kilder til støj og vibration kan være genstande, som er placeret ovenpå apparatet. Disse genstande skal fjernes.

Tekniske data

Mærke	GRAM
Model	FS 3125-90
Apparatets type	STÅENDE FRYSER * 
Bruttoindhold (liter)	127
Netto indhold (liter)	117
Indfrysningskapacitet (kg/døgn)	10
Energiklasse (1)	A+
Energiforbrug (kWh/år) (2)	210
Sikkerhed ved strømafbrydelse (Timer)	18
Lydniveau dB (A)	40
Miljøvenlig kølemiddel R600a	
(1) Energiklasse: A++D (A++ = økonomisk . . . D = mindre økonomisk)	
(2) Det virkelige energiforbrug afhænger af brugsbetingelser og apparatets placering.	



Symbolet  på produktet eller på emballagen angiver, at dette produkt ikke må behandles som husholdningsaffald. I stedet skal det overdrages til det gældende afhentningssted for genbrug af det elektriske og elektroniske udstyr. Ved at sikre, at dette produkt bortskaffes korrekt, hjælper du til at forhindre negative konsekvenser for miljøet og den menneskelige sundhed, hvilket kan være forårsaget af ukorrekt bortskaffelse af dette produkt. For yderligere informationer omkring genbrug af dette produkt bedes du kontakte det lokale kommunekontor, din lokale genbrugsstation eller butikken, hvor du købte produktet.

Grattis till ditt nya GRAM frysskåp.

Säkerheten först!

Anslut inte din frysskåp till strömuttaget förrän allt emballage och alla transportskydd tagits bort.

- Låt den stå i minst fyra timmar innan den startas, så att kompressoroljan får rinna ner ordentligt om den transporterats horisontellt.

* Om du kasserar en gammal frysskåp med lås eller hake på dörren, se då till att den lämnas i säkert tillstånd så att inte barn kan stängas inne.

- Frysskåpet får bara användas i dess avsedda syfte.

- Frysskåpet får inte brännas. Det innehåller icke ozonnedbrytande substanser i isoleringen, vilka är brandfarliga. Vi föreslår att du kontaktar din lokala myndighet för information om bortskaffning.

- Vi rekommenderar att detta frysskåp inte används i ouppvärmda, kalla rum. (T.ex. garage, drivhus, annex, skjul, uthus etc.).

För att erhålla bästa möjliga prestanda och driftsäkerhet är det viktigt att du läser igenom dessa instruktioner noga. Om dessa instruktioner förbises kan din gratiservice under garantitiden komma att ogiltigförklaras.

Förvara dessa instruktioner på en säker plats så att du enkelt kan använda dem som referens.

Detta här frysskåp är inte avsedd för användning av personer med nedsatt fysisk, känslomässig eller mental förmåga eller en person som saknar grundläggande kunskaper om hur den används om han eller hon inte får tillräckligt mycket övervakning eller anvisningar från en person som ansvarar för säkerheten.

Yngre barn bör bevakas så att de inte leker med frysskåpet.

Elektriska krav

Innan du sätter i väggkontakten bör du kontrollera att spänningen och frekvensen på klassificeringsplåten inuti frysskåpet motsvarar ditt nät.

Vi rekommenderar att detta frysskåp ansluts till huvudledningen via en korrekt kopplad och säkrad kontakt på en lättåtkomlig plats.

Varning! Detta frysskåp måste jordas.

Reparationer av den elektriska utrustningen får endast utföras av kvalificerade experter. Om anslutningskabeln är skadad, skall tillverkaren eller Gram service byta ut den för att undvika fara.

OBSERVERA!

Detta här frysskåpet drivs med R600a som är en miljöanpassad, men antändbar gas. Under transport och fixering av produkten måste du iaktta försiktighet så att du inte skadar kylsystemet. Om kylsystemet skadas och det uppstår en gasläcka ska du hålla produkten på avstånd från öppen eld och vädra rummet en stund.

VARNING - Använd inte mekaniska enheter eller andra sätt för att snabba på avfrostningsprocessen, förutom det som rekommenderas av tillverkaren.

VARNING - Skada inte kylningskretsen.

VARNING - Använd inga elektriska enheter inuti frysskåpets förvaringsutrymmen för mat, såvida dessa inte rekommenderats av tillverkaren.

Transportinstruktioner

1. Frysskåpet får bara transporteras stående upprätt. Det medföljande emballaget måste vara helt under transporten.
2. Om frysskåpet under transporten placerats liggande, får det inte användas på minst 12 timmar, så att systemet hinner stabilisera sig.

3. Om instruktionerna ovan inte följs kan skador uppstå på frysskåpet, för vilka tillverkaren inte kan hållas ansvarig.
4. Frysskåpet måste skyddas mot regn, fukt och annan, atmosfärisk påverkan.

Viktigt!

- När frysskåpet rengörs/flyttas skall man vara försiktig och inte nudda undersidan av kondensatorns metalltrådar på frysskåpets baksida, så detta kan orsaka skada på fingrar och händer.
- Försök inte att sitta eller stå på ditt frysskåp, då den inte är avsedd för sådan användning. Du kan skada dig själv eller frysskåpet.
- Se till att huvudkabeln inte fastnar under frysskåpet under tiden och efter att den flyttats, då detta kan skada kabeln.
- Låt inte barn leka med frysskåpet eller mixtra med reglagen.

Installationsinstruktioner

1. Förvara inte frysskåpet i ett rum där temperaturen kan falla till lägre än +10°C (50°F), eftersom den är utformad att användas i omgivande temperaturer som ligger mellan +10°C och +43°C (50°F och 90°F). Vid lägre temperaturer kanske frysskåpet inte fungerar, vilket medför att matens hållbarhet kortas. Placera inte frysskåpet nära spisar, element eller i direkt solljus, då detta kan orsaka extra belastning för frysskåpets funktioner. Om den installeras bredvid en värmekälla, skall följande mått lämnas fritt bredvid frysskåpet:
30 mm från spisar
300 mm från element
3. Ge utrymme kring frysskåpet för att tillåta fri luftcirkulation.
 - Öppna mellanlägget på baksidan av ditt frysskåp för att ställa in avståndet mellan frysskåpet och väggen (**Figur 3**).

4. Frysskåpet bör placeras på en jämn yta. De båda främre fötterna kan justeras enligt behov. För att säkerställa att frysskåpet står upprätt ska du justera de båda främre fötterna genom att vrida med- eller moturs, tills du säkerställer full kontakt med golvet. Korrekt justering av fötterna motverkar överdrivna vibrationer och buller (**Figur 4**).

5. Se avsnittet "Rengöring och vård" för att förbereda din frysskåp.

6. Om ni önskar att placera ett kylskåp och ett frysskåp bredvid varandra, som "side-by-side", skall ni använda ett monteringsset.

Monteringssetet innehåller en matta och en dekorationslist. Mattan skall monteras på sidan av det ena skåpet, med lite luft mellan.

Dekorationslisten monteras mellan de två skåpen, så att den döljer mellanrummet mellan skåpen (**fig 2.**) Monteringssetet är inte en del av produkten och skall levereras som tillbehör.

Temperaturkontroll och justering.

Frystemperaturen påverkas av frystemperaturinställningsknappen (**Vi rekommenderar position 2 eller 3**).

I allmänhet ligger den här temperaturen (**Figur 5**) under -18°C men lägre temperaturer kan uppnås genom att vrida termostaten mot position MAX.

Vi rekommenderar kontroll av temperaturen med en termometer för att kontrollera att förvaringshyllorna håller önskad temperatur. Kom ihåg att läsa av omedelbart eftersom temperaturen stiger mycket snabbt då du avlägsnar termometern från frysen.

Kom ihåg att varje gång dörren öppnas så släpps luft ut och den invändiga temperaturen stiger.

Lämna därför aldrig dörren öppen och se till att den stängs direkt efter att maten har lagts in eller tagits ut.

Innan du använder frysskåpet

Slutlig kontroll

Kontrollera följande innan du börjar använda frysen:

1. Att fötterna justerats för perfekt planhet.
2. Att insidan är torr och att luften kan cirkulera fritt på baksidan.
3. Att insidan är ren enligt rekommendationerna i "Rengöring och vård".

4. Att kontakten satts i vägguttaget och att strömmen slagits på. Undvik oavsiktlig urkoppling genom att tejpa över strömbrytaren.

Notera också att:

5. Du kommer att höra ett bullrande ljud när kompressorn startar. Vätskorna och gaserna i kylsystemet kan också ge upphov till oljud, oavsett om kompressorn går eller inte. Detta är helt normalt.

6. Om du vill frysa färsk mat ska du använda kylfacket som är markerat med 4 stjärnor.

7. Lägg inte in för stora mängder mat samtidigt i frysen. Matens kvalitet är mycket hög om de djupfrysas på kortast möjliga tid. Därför är det lämpligt att inte överbelasta fryskapaciteten i frysskåpet som visas i "Tekniska data". Termostaten ska justeras för att erhålla lästa temperatur inuti frysen med knappen på snabbfrysning och den orange lampan tänd.

8. Efter att tiden för nödvändig frysnivå av färsk mat uppnås från att frysningsen blir fullständig, ska du ställa in termostaten på en mediumposition (Orange lampa lyser inte).

9. Fyll inte frysskåpet direkt efter att den startats. Vänta tills korrekt förvaringstemperatur uppnåtts. Vi rekommenderar att temperaturen kontrolleras med en korrekt termometer (Se Temperaturkontroll och justering).

Viktigt:

Öppna inte dörren vid strömavbrott. Fryst mat påverkas inte om avbrottet pågår mindre än 18 minuter. Om strömavbrottet varar längre ska maten kontrolleras.

Kontrollpanel för fryn **(Figur 5)**

Kontrollpanelen justerar temperaturen i frysen och har följande funktioner:

1 - Orange lysdiod - Snabbfrysning på

När du sätter på frystemperaturen till maxpositionen (4), tänds den orange lysdioden (1) och kompressorn börjar köra utan stopp. Kom ihåg att vrida tillbaka termostaten till föregående position när maten har frusit.

2 - Grön lysdiod - el på (Spänning)

Lyser när frysskåpet är ansluten till nätverket och förblir tänd så länge det finns ström. Den gröna lysdioden erbjuder ingen information om temperaturen invändigt i frysen.

3 - Röd lysdiod - Alarm om hög temperatur

4 - Temperaturinställningsknapp

Alarm om hög temperatur

Efter att frysskåpet har slagits på för första gången är alarmet inte aktivt under 12 timmar (Den röda lysdioden är släckt).

Efter detta kan röda lysdioder lysa i följande fall:

- Om frysskåpet är överbelastad med färsk mat.

- Om luckan lämnas öppen av misstag.

I de här fallen förblir den röda lysdioden tänd tills frysskåpet har uppnått den förinställda temperaturen.

Om den röda lysdioden är på ska du vänta 24 timmar innan du tillkallar Gram service.

Viktigt

Den uppnådda temperaturen kan variera beroende på omgivande förhållanden, exempelvis: placering, omgivande temperatur, hur ofta dörren öppnas, hur mycket mat som har fyllts på. Temperaturinställningen modifieras enligt dessa förhållanden.

Snabbfrysning

När du sätter på frystemperaturen till maxpositionen (4), tänds den orange lysdioden (1) och kompressorn börjar köras utan stopp.

Förvaring av fryst mat

Din fryn är anpassad för långtidsförvaring av kommersiellt fryst mat och kan också användas för infrysning och förvaring av färsk mat.

Öppna inte dörren vid strömavbrott. Fryst mat skall inte påverkas om avbrottet om det inte pågår längre än 18 timmar. Om avbrottet pågår längre bör maten kontrolleras och antingen ätas upp direkt, eller tillagas och därefter.

Infrysning av färsk mat

Observera följande instruktioner för att uppnå bästa resultat.

Frys inte in för stora mängder på en gång. Matens kvalitet bevaras bäst om den blir genomfrost så snabbt som möjligt.

Om stora mängder färsk mat ska frysas justerar du kontrollknappen till max. 24 timmar innan du lägger i färsk mat i facket för snabbfrysning.

Vi rekommenderar starkt att du låter knappen vara på MAX-position minst 24 timmar för att frysa maximal mängd färsk mat enligt deklARATIONEN för fryskapacitet. Var försiktig så att du inte blandar fryst mat och färsk mat. Kom ihåg att vrida tillbaka termostaten till föregående position när maten har frusit. Små mängder mat på upp till 1/2 kg kan frysas utan snabbfrysning.

Göra isbitar

(Figur 6)

Fyll isbitsfacket till 3/4 med vatten och placera det i frysen. Lossa fastfrusna fack med ett skedhandtag eller liknande. Använd aldrig vassa instrument som knivar och gafflar.

Lär känna ditt frysskåp

(Figur 1)

- 1 - Kontrollpanel, display och justering
- 2 - Ställ för isbricka
- 3 - Fack för snabbfrysning
- 4 - Fack för fryst mat
- 5 - Justerbara frontfötter

Avfrostning

Avfrosta frysfacket minst två gånger om året eller när islagret är för tjockt.

- Isbildning är ett normalt fenomen.
- Isbildning, speciellt i övre delen av facket är ett naturligt fenomen och påverkar inte funktionen hos frysskåpet.
- Vi rekommenderar att du avfrostar frysskåpet när mängden fryst mat inte är för stor.
- Innan du avfrostar ska du ställa in termostaten på maxposition för att frysa maten djupt.
- Koppla ur frysskåpet.
- Ta ut fryst mat, packa dem i flera lager papper och placera dem på sval plats.
- Låt dörren vara öppen för en snabb avfrostning och sätt i kärl med varmvatten (Max. 80°C).

Använd inga skarpa instrument som knivar eller gafflar för att ta bort frosten.

Använd aldrig en fön, elektrisk värmare eller andra liknande elektriska apparater för avfrostning.

När avfrostningen är klar stänger du avfrostningsenheten och torkar ordentligt invändigt

(Figur 7)

Tryck på snabbfrysningssknappen och låt den vara på i omkring tre timmar.

För att ta ut korgarna ur frysfacket ska du göra som i **figur 8**.

Rengöring och vård

1. Vi rekommenderar att du stänger av frysskåpet vid kontakten och att huvudströmkabeln dras ur.
2. Använd aldrig vassa instrument eller slipande medel, tvål, rengöringsmedel, tvättmedel eller polish för rengöring.
3. Använd ljummet vatten för rengöring av frysskåpets skåp och torka det torrt.
4. Använd en fuktig trasa urvriden i en lösning av en tesked bikarbonatsoda till en halv liter vatten, torka ur interiören och torka sedan torrt.
5. Om frysskåpet inte kommer att användas under en längre tid, stäng då av den, plocka ur all mat, rengör den och lämna dörren på glänt.
6. Vi rekommenderar att du polerar frysskåpet metalldelar (T.ex. dörrens insida, skåpets sidor) med ett silikonvax (Bilpolish) för att skydda den högkvalitativa målningen.
7. Allt damm som samlas på avdunstningsapparaten, vilken är placerad baktill på frysskåpet, bör tas bort en gång per år med en dammsugare.
8. Kontrollera dörrtätningen regelbundet så att den är ren och fri från matrester.
9. Du får aldrig:
 - Rengöra frysskåpet med felaktiga material som t.ex. petroleumbaserade produkter.
 - På något sätt utsätta den för höga temperaturer.
 - Skura, skrubba etc., med slipande material.
10. Isbildningar ska avlägsnas regelbundet. Stora samlingar is kan påverka frysens prestanda.
11. För att ta bort en låda drar du ut den så långt det går, luta den uppåt och dra ut den helt.

Omhängning av dörrarna

Gå tillväga i nummerordning (**Figur 9**).

Kom ihåg att göra och undvika

Kom ihåg kontrollera frysens innehåll då och då.

Kom ihåg rengör och avfrostas ditt frysskåp regelbundet (Se "Avfrostning").

Kom ihåg förvara mat så kort tid som möjligt och håll fast vid datum som "Bäst före" och "Användes innan".

Kom ihåg förvara kommersiellt infrost mat i enlighet med instruktionerna på förpackningen.

Kom ihåg förbered färsk mat som skall frysas i små portioner, så att den fryser in snabbt.

Kom ihåg förpacka fryst mat omedelbart efter inköpet och placera den snarast i frysen.

Undvika att lämna dörren öppen under längre perioder, då detta gör frysskåpet dyrare i drift och orsakar ökad isbildning.

Undvika att använda skarpa instrument som knivar eller gafflar för att ta bort isen.

Undvika att placera vätskefyllda flaskor eller täta burkar med kolsyrade vätskor i frysen, då dessa kan spricka.

Undvika att förvara giftiga eller skadliga substanser i ditt frysskåp. Den är endast konstruerad för förvaring av ätbara saker.

Undvika att överstiga maximala infrysningmängden vid infrysning av färsk mat.

Undvika att ge barn glass eller isglass direkt från frysen. Den låga temperaturen kan orsaka "frysbrännmärken" på läpparna.

Undvika frysta drycker.

Undvika att försöka behålla fryst mat som tinat. Den skall ätas inom 24 timmar eller tillagas och frysas om.

Felsökning

Om apparaten inte fungerar när den slagits på, kontrollera:

- Att kontakten sitter ordentligt i vägguttaget och att strömmen är påslagen. (Sätt i en annan apparat för att kontrollera strömförsörjningen i uttaget)
- Om säkringen gått/kretsbrytaren har slagit ifrån/huvudströmbrytaren stängts av.
- Att temperaturreglaget ställts in rätt.
- Att den nya kontakten dragits ordentligt, om du har ändrat den påmonterade, formade kontakten.

Om frysskåpet fortfarande inte fungerar efter kontrollerna ovan ska du kontakta GRAM service.

Försäkra dig om att kontrollerna ovan utförts, eftersom en avgift tillkommer om frysskåpet inte visar sig vara sönder.

Energiförbrukning

Maximal volym för fryst mat uppnås utan att du använder de 2 mittenlådorna och övre hyllan som finns placerad i frysfacket.

Energiförbrukningen för frysskåpet deklarerar när frysfacket är fullt utan att de 2 mellanlådorna och den övre hyllan används.

Praktiska råd gällande reduktion av elförbrukningen.

1. Se till att frysskåpet är placerad på en väl ventilerad plats, på långt avstånd från värmekällor (Spis, element etc.). Samtidigt måste placeringen av frysskåpet ske på ett sätt så att den inte utsätts för direkt solljus.
2. Se till att maten som har köpts nedkyld/fryst ställs in så snabbt som möjligt i frysskåpet, speciellt under sommartid. Vi rekommenderar att du använder termoisolerade påsar för att transportera hem maten.
3. Låt inte dörren till frysskåpet vara öppen mer än nödvändigt och se till att den stängs ordentligt varje gång.

Information rörande ljud och vibrationer som kanske uppstår under användning av frysskåpet.

1. Driftsljudet kan öka under användningen.

- För att hålla temperaturen på det värde du har ställt in startar kompressorn med jämna mellanrum. Ljudet orsakas av att kompressorn arbetar hårdare när den startar och ett klickljud kan höras när den stannar.

- Prestandan och driftsfunktionerna för frysskåpet kan ändras beroende på modifieringar av temperaturen för den omgivande miljön. Detta är att betrakta som normalt.

2. Ljud som låter som rinnande vätska eller sprayljud


- De här ljuden orsakas av att kylmedlet som passerar genom kylkretsarna och efterlever reglerna för frysskåpets driftsfunktioner.

3. Andra vibrationer och ljud.


- Nivån på ljudet och vibrationerna kan orsakas av typen av golv på vilket frysskåpet placeras. Se till att golvet inte lutar eller är ojämnt, eftersom det kan ge viktfordelning för frysskåpet (Den är flexibel).

- En annan källa för ljud och vibrationer representeras av objekt som har placerats på frysskåpet. De här objekten måste tas bort från frysskåpet

Tekniska data

Märke	GRAM
Modell	FS 3125-90
Enhet	STÅENDE FRYS 
Total bruttovolym (l.)	127
Total användbar volym (l.)	117
Fryskapacitet (kg/24 h)	10
Energiklass (1)	A+
Strömförbrukning (kWh/år) (2)	210
Autonomi (h)	18
Ljudnivå dB(A)	40
Miljövänlig kylmedelsagent R600a	
(1) Energiklass : A++D (A++ = ekonomisk. . . G = mindre ekonomisk)	
(2) Den faktiska strömförbrukningen beror på användningsförhållanden och utrustningens placering.	



Symbolen  på produkten eller förpackningen indikerar att den här produkten inte får kastas som hushållsavfall. Den ska i stället lämnas på speciella insamlingsställen för återvinning av elektriskt och elektroniskt avfall. Genom att säkerställa att produkten avyttras på rätt sätt bidrar du till att förhindra potentiella, negativa konsekvenser för miljön och den mänskliga hälsan. Annars kan avfallshanteringen bli felaktig för produkten. Om du vill ha mer detaljerad information om återvinning av den här produkten ska du kontakta din kommun, renhållningsbolaget eller den butik där du inhandlade produkten.

Gratulerer med nya GRAM fryseskapet dit.

Sikkerheten kommer først!

Ikke koble fryseskåpet til strømmettet før du har fjernet alt pakkemateriale og transportbeskyttelse.

- La fryseskapet stå i minst 4 timer før du skruer det på, slik at oljen i kompressoren får stabilisere seg hvis kjøleskapet ble transportert horisontalt.
- Hvis du skal kaste et gammelt fryseskap som har lås eller smekklås montert i døren må du sikre at det blir plassert under sikre forhold for å unngå at det blir en felle for barn.
- Dette apparatet må bare brukes til det formålet det er tiltenkt.
- Ikke kvitt deg med fryseskapet ved å brenne det. Fryseskapet inneholder ikke CFC stoffer i isolasjonen som er brennbare. Vi forslår at du kontakter de lokale myndighetene for å få informasjon om hvordan du skal kvitte deg med fryseskapet.
- Vi anbefaler deg ikke å bruke fryseskapet i et ikke oppvarmet kaldt rom. (D.v.s. garasje, vinterhage, anneks, skur, uthus eller lignende).

For å få best mulig ytelse og problemfri drift er det viktig å lese disse bruksanvisningen nøye. Hvis du ikke overholder denne bruksanvisningen kan det gjøre retten til gratis service i garantiperioden ugyldig.

Oppbevar denne bruksanvisningen på et sikkert sted slik at du lett kan slå opp i den ved behov.

Dette apparatet er ikke ment for bruk av personer med reduserte fysiske, sensoriske eller mentale evner, eller manglende erfaring og kunnskap, med mindre de er gitt opplæring eller instruks i bruk av apparatet av en person som er ansvarlig for deres sikkerhet.

Barn må passes for å sikre at de ikke leker med apparatet.

Krav til det elektriske anlegget

Før du setter kontakten i vegguttaket må du forsikre deg om at spenningen og frekvensen som står på apparatskiltet tilsvarer strømtilførselen i huset ditt.

Vi anbefaler at dette apparatet blir koblet til strømforsyningen ved hjelp av en kontakt som styres av en lett tilgjengelig bryter og sikring. Støpselet må være tilgjengelig etter installasjon for å kunne gjøre det mulig med frakobling av apparatet fra forsyningen etter installasjonen.

Advarsel! Dette apparatet må være jordet.

Reparasjoner på det elektriske utstyret kan kun foretas av kvalifiserte teknikere. Hvis strømledningen er skadet, må produsenten eller Gram service erstatte den for å unngå fare.

OBS!

Dette apparatet drives med R600a, som er en miljøvennlig, men antenkelig gass. I løpet av transport og montering av produktet må det utvises forsiktighet, slik at kjølesystemet ikke skades. Hvis kjølesystemet skadet og det lekker gass fra systemet, skal produktet holdes på avstand fra åpne flammekilder, og rommet skal ventileres en stund.

ADVARSEL - Ikke bruk mekanisk utstyr eller andre midler for å akselerere avisingsprosessen annet enn slikt utstyr som produsenten anbefaler.

ADVARSEL - Pass på så du ikke skader kjølekretsen.

ADVARSEL - Ikke bruk elektriske apparater inne i de delene av skapet der du lagrer mat såfremt de ikke er av en slik type som produsenten anbefaler.

Transportanvisninger

1. Fryseskapet må bare transporteres stående. Pakkingen som det leveres med må være intakt under transport.
2. Hvis fryseskapet skulle være plassert horisontalt under transport, må du vente minst 12 timer før du starter det opp for at systemet skal få stabilisert seg.

3. Hvis disse anvisningene ikke overholdes kan det resulterer i at fryseskapet blir skadet. Produsenten er ikke ansvarlig for slik skade.
4. Fryseskapet må beskyttes mot regn, fuktighet og andre atmosfæriske påvirkninger.

Viktig!

- Vær forsiktig når du rengjør/bærer fryseskapet slik at du ikke berører metallstrengene i bunnen av kondensatoren på baksiden av fryseskapet fordi dette kan skade fingre og hender.
- Ikke prøv å sitte eller stå oppå fryseskapet. Det er ikke laget for slikt bruk. Du kan skade deg selv eller ødelegge kjøleskapet.
- Pass på at apparatkabelen ikke blir liggende under fryseskapet under eller etter at det er flyttet i og med at dette kan skade kabelen.
- Ikke la barn leke med fryseskapet eller fikle med kontrollsystemet.

Installasjonsanvisninger

1. Ikke plasser fryseskapet i et rom der temperaturen vil kunne komme under +10 °C (50 °F), i og med at det er konstruert for å brukes i omgivelsestemperaturer mellom +10°C og +43 °C (50 °F og 90 °F). Ved lavere temperaturer vil fryseskapet trolig ikke virke slik at lagringstiden for maten i skapet vil reduseres.
2. Ikke plasser fryseskapet nær komfyren eller radiatorer eller i direkte sollys i og med at dette vil forårsake en ekstra belastning på fryseskapet. Hvis det blir installert nær en varmekilde, må du holde følgende minimumsklaring:
Fra komfyr 30 mm
Fra radiator 300 mm
3. Pass på at det er nok plass rundt fryseskapet slik at luften kan sirkulere fritt.
 - Plasser det bakre avstandsstykket mot baksiden av fryseskapet for å finne den riktige avstanden mellom fryseskapet og veggen (**Fig 3**).

4. Fryseskabet må stå på en plan flate. De to fremre bena kan justeres. For å sikre at fryseskabet står loddrett kan du justere de to fremre bena med eller mot urviseren til de har god kontakt med gulvet. Korrekt justering av bena hindrer unødig vibrasjon og støy (**Fig 4**).
5. Se under kapitlet "Rengjøring og stell" for å forberede fryseskabet for bruk.
6. Hvis du ønsker å plassere f.eks. et kjøleskap og en fryser ved siden av hverandre, som en "side-by-side"-løsning, skal du bruke et monteringssett som inneholder en liten matte og en dekorlist. Matten skal monteres på siden av det ene skabet, slik at det er litt luft mellom skapene. Dekorlisten monteres mellom de to skapene, slik at det skjuler gapet mellom skapene (**Fig 2**). Monteringssettet er ikke en del av produktet, men kan leveres som tilbehør.

Temperaturkontroll og justering

Frysertemperaturen påvirkes av frysertemperaturens innstillingsknapp (**2. eller 3. posisjon anbefales**) (**Fig 5**). Generelt sett er denne temperaturen under -18 °C. Lavere temperaturer kan oppnås ved å justere termostatknotten mot posisjon MAX. Vi anbefaler at du kontrollerer temperaturen med et termometer for å se til at oppbevaringsrommene holdes ved ønsket temperatur. Husk å lese av temperaturen med en gang, siden termometertemperaturen vil stige hurtig etter at du tar det ut av fryseren. Vennligst husk at kald luft siver ut hver gang døren åpnes, slik at den innvendige temperaturen øker. Derfor skal døren aldri stå åpen, og se til at den lukkes umiddelbart etter at maten legges inn eller tas ut.

Før bruk

Siste kontroll

Før du begynner å bruke fryseren må du kontrollere at:

1. Føttene er justert slik at skabet står riktig.
2. Innsiden av skabet er tørr og at luften kan sirkulere fritt i det.
3. Interiøret er rent slik det er anbefalt under "Rengjøring og stell".
4. Pluggen er satt inn i vegguttaket og at strømmen er skrudd på. Unngå utilsiktet frakobling ved å tape over bryteren.

Og merk deg at:

5. Du vil høre en lyd når kompressoren starter opp. Væsken og gassene som er forseglet inne i kjølesystemet også kan lage litt støy enten kompressoren går eller ikke. Dette er helt normalt.
6. For å fryse den ferske maten bruk delen som er merket med 4 stjerner.
7. Ikke legg inn for stor mengde mat samtidig i fryseren. Kvaliteten på maten blir best ivarettatt når den blir gjennomfrossen så snart som mulig. Derfor er det å foretrekke at frysekapasiteten som er vist i "*Tekniske data*" ikke overskrides. Termostaten skal justeres for å oppnå den laveste temperaturen på innsiden av fryseren med knappen på hurtigfrysfunksjonen og den oransje lampen som lyser.
8. Etter at tiden som kreves for å fryse fersk mat fra fryseren er ferdig, sett termostatknappen på middels posisjon (Oransje lampe lyser ikke).
9. Ikke fyll fryseskabet like etter at det er skrudd på. Vent til at det har nådd riktig lagringstemperatur. Vi anbefaler deg å kontrollere temperaturen med et nøyaktig termometer (Se kapitlet om Temperaturkontroll og justering).

Viktig bemerkning:

Hvis det skulle oppstå strømstans, må du unngå å åpne døren. Frosne matvarer vil ikke påvirkes av en eventuell strømstans hvis den varer mindre enn 18 timer. Hvis bruddet varer lenger, må maten kontrolleres.

Fryserkontrollpanel

(Fig 5)

Kontrollpanelet justere temperaturen i fryseren og har følgende funksjoner:

1 - Oransje LED - Hurtigfrys på

Når du dreier

frysertemperaturinnstillingsknappen (4) til maks.-posisjonen, vil den gule LED-en (1) lyse og kompressoren vil gå kontinuerlig. Husk å vri termostatbryteren tilbake til forrige posisjon når maten er frosset.

2 - Grønn LED - elektrisitet på (Spenning)

Tennes når apparatet tilkoples strømmettet og lyser så lenge det finnes tilgjengelig elektrisitet. LED grønn gir ikke informasjon om temperaturen på innsiden av fryseren.

3 - Rød LED - Høy temperaturalarm

4- Temperaturinnstillingsknapp

Høy temperatur-alarm

Etter at apparatet er slått på for første gang, er alarmen ikke aktiv i 12 timer (Rød LED er av).

Etter denne perioden kan den røde LED-en lyse (Den røde LED-en er på) i følgende tilfeller:

- Hvis apparatet overbelastes med fersk mat.
 - Hvis døren blir stående åpen ved en feil.
- I disse tilfellene vil den røde LED-en være tent inntil apparatet når den forhåndsinnstilte temperaturen.

Hvis den røde LED-en er på, vent i 24 timer før du ringer til GRAM service.

Viktig:

De oppnådde temperaturene på innsiden kan variere etter bruksforholdene til apparatet:

Plassering, omgivelsestemperatur, hyppighet på døråpning, grad belastning med mat.

Temperaturinnstillingen vil endres ifølge disse forholdene.

Hurtigfrysfunksjon

Når du dreier

frysertemperaturinnstillingsknappen (4) til maks.-posisjonen, vil den oransje LED-en (1) lyse og kompressoren vil gå kontinuerlig.

Lagring av frosne matvarer

Fryseren din er egnet for langtidslagring av frosne matvarer og kan også brukes til å fryse inn og lagre ferske matvarer.

Hvis det skulle oppstå strømstans, må du unngå å åpne døren. Frossen mat vil ikke påvirkes hvis feilen varer i mindre enn 18 timer. Hvis feilen varer lenger, skal maten kontrolleres.

Frysing av ferske matvarer

Vennligst overhold følgende anvisninger for å oppnå best mulig resultat.

Ikke frys inn for store kvanta samtidig.

Kvaliteten på matvarene blir best ivaretatt når de blir gjennomfrosne så snart som mulig.

Hvis store mengder fersk mat skal fryses, juster kontrollbryteren til maks. 24 timer før ferskmaten legges i hurtigfrysingsboksen.

Det anbefales på det sterkeste å holde knotten ved MAX.-posisjonen i minst 24 timer for å fryse maksimal mengde ferskmat som klareres som frysekapasitet. Se spesielt til at du ikke blander frosne og ferske matvarer. Husk å vri termostatbryteren tilbake til forrige posisjon når maten er frosset.

Mindre matmengder på inntil ½ kg (1 lb) kan fryses uten hurtigfrysfunksjonen.

Lag isbiter

(Fig 6)

Fyll isbitbrettet 3/4 fullt med vann og plasser det i fryseren. Løsne fastfrosne brett med skaftet av en skje eller tilsvarende redskap. Bruk aldri skarpe redskaper som kniver eller gafler.

Bli kjent med fryseskabet

(Fig 1)

- 1 - Kontrollpanel, display og justering
- 2 - Isbrettstøtte og isbrett
- 3 - Del for hurtigfrys
- 4 - Deler for oppbevaring av frosne matvarer
- 5.- Justerbare fremben

Avrimning

Vi anbefaler deg å avise fryseren minst to ganger årlig eller når islaget er for tykt.

- Dannelsen av is er et normalt fenomen.
- Isdannelse, spesielt i øvre del av kammeret er et naturlig fenomen og påvirker ikke funksjonen til apparatet.
- Vi anbefaler deg å avise apparatet når mengden frossen mat ikke er for stor.

• Før avrimningen stilles justeringstermostatknappen på maks.-posisjon for å kunne fryse maten skikkelig.

- Koble fra apparatet
 - Ta ut den frosne maten, pakk den i flere papirark og legg dem på et kjølig sted.
 - La døren være åpen for hurtig avising og sett inn kar med varmt vann (maks. 80 °C).
- Ikke bruk spisse eller skarpe gjenstander som kniver eller gafler til å fjerne isen.

Bruk aldri hårtørrere, elektriske varmeovner eller andre elektriske apparater til avisingen. Når avisingen er ferdig, lukk avisingsdelen og tørk innsiden grundig (Fig 5).

Trykk på hurtigfrys-bryteren og la den stå på i omtrent tre timer.

For å ta ut skufferne fra fryseren, vennligst gå frem slik som i fig 8.

Rengjøring og stell

1. Vi anbefaler deg å skru av fryseskabet ved vegguttaket og trekke ut pluggen til apparatkabelen før du starter rengjøringen.
2. Bruk aldri skarpe redskaper eller rengjøringsmidler med skureeffekt, såpe, rengjøringsmidler for hjemmebruk eller voks til rengjøringen.
3. Bruk lunkent vann for å vaske skabet og tørk det tørt.
4. Bruk en fuktig klut vridd opp i en oppløsning av en teskje bikarbonatsoda til ½ liter vann for å rengjøre innsiden av skabet og tørk det tørt.
5. Hvis fryseskabet ikke skal brukes over en lengre periode skrur du det av, tar ut alle matvarer, rengjør det og setter døren på klem.
6. Vi anbefaler deg å polere metalldelene på dette produktet (Det vil se utenpå døren, sidene på skabet med silikonvoks (Bilpolish) for å beskytte kvalitetslakken.
7. Eventuelt støv på kondensatoren som du finner på baksiden av fryseskabet, bør fjernes en gang i året med støvsugeren.
8. Kontroller pakningene til dørene jevnlig for å sikre at de er rene og fri for matrester.
9. Du må aldri:
 - * Rengjøre fryseskabet med uegnede midler så som petroleumbaserte produkter.
 - * Utsette det for høye temperaturer på noen som helst måte.
 - * Skure, slipe etc. med noe slipemiddel.
10. Større ismengder skal fjernes regelmessig. Store isansamlinger vil redusere effektiviteten til fryseren.
11. For å ta ut en skuff drar du den ut så langt det er mulig, tipper den opp og trekker den helt ut.

Montering av døren

Gå frem i nummerrekkefølge (Fig 9).

Ting du må gjøre og ting du ikke må gjøre

Dette må du gjøre - Kontroller innholdet i fryseren ved regelmessige intervaller.

Dette må du gjøre - Rengjør og avis fryseskapet jevnlig (Se "Avrimning")

Dette må du gjøre - Oppbevar matvarene så kort tid som mulig og merk dem med "Best før" og "Brukes innen" med datoer.

Dette må du gjøre - Lagre frossenmat i samsvar med anvisningene som står på pakkene.

Dette må du gjøre - Forbered fersk mat for frysing i små porsjoner for å sikre hurtig innfrysing.

Dette må du gjøre - Pakk inn frosne matvarer umiddelbart etter innkjøp og legg dem i fryseren så raskt som mulig.

Dette må du ikke gjøre - La døren stå åpen i lengre tid da dette vil gjøre at fryseskapet vil bruke mer energi og forårsake unødig isdannelse.

Dette må du ikke gjøre - Bruk spisse eller skarpe gjenstander som kniver eller gafler til å fjerne isen.

Dette må du ikke gjøre - Legg væskefylte flasker eller uåpnede bokser som inneholder drikkevarer med kullsyre inn i fryseren da de kan sprekke.

Dette må du ikke gjøre - Lagre giftige eller noen farlige stoffer i fryseskapet. Det er kun laget for å lagre spiselige matvarer.

Dette må du ikke gjøre - Legg inn mer mat enn maksimalt anbefalt mengde når du fryser inn ferske matvarer.

Dette må du ikke gjøre - Spise is og saftis direkte fra fryseren. Den lave temperaturen kan forårsake frostsår på leppene.

Dette må du ikke gjøre - Ikke frys drikkevarer med kullsyre.

Dette må du ikke gjøre - Prøv å oppbevare frosne matvarer som har tint: de bør spises innen 24 timer eller tilberedes og så fryses igjen.

Feilsøking

Hvis apparatet ikke virker når det slås på, kontroller:

- At pluggen er satt i vegguttaket og at det er strøm i kontakten. (For å kontrollere at det er strøm i kontakten plugger du bare inn et annet elektrisk apparat)
 - Om sikringen er gått/automatsikringen er løst ut/hovedsikringen er skrudd av.
 - At temperaturkontrollen er stilt inn riktig.
 - At den nye pluggen er koblet riktig, hvis du har skiftet den påmonterte støpte pluggen.
- Hvis apparat ennå ikke virker etter at du har kontrollert de punktene som står ovenfor, ta kontakt med GRAM service.

Pass på at du har utført de kontrollpunktene som står over i og med at du vil bli fakturert hvis det ikke finnes noen feil.

Energiforbruk

Maksimalt lagringsvolum for frossenmat oppnås uten å bruke de 2 midtre skuffene og det øvre hylledekselet som finnes i fryseren. Energiforbruket til apparatet ble erklært med fryseren fullstendig lastet uten bruk av de 2 midtre skuffene og det øvre hylledekselet.

Praktisk råd vedrørende reduksjon av strømforbruk.

1. Se til at apparatet befinner seg på godt ventilerte steder, på god avstand fra varmekilder (Komfyr, radiator osv.). Samtidig må plasseringen av apparatet gjøres slik at det ikke står i direkte sollys.
2. Se til at mat som kjøpes i frossen tilstand plasseres i apparatet så snart som mulig, spesielt om sommeren. Det anbefales å bruke termisk isolerte poser til å transportere maten hjem.
3. Vi anbefaler å redusere antall døråpninger til et minimum.
4. Ikke hold døren til fryseskapet åpen mer enn nødvendig, og se til at døren lukkes godt etter hver åpning.


Informasjon om støy og vibrasjoner som kan oppstå i løpet av driften av apparatet

1. Driftsstøyen kan øke i løpet av driften.
 - For å holde temperaturene ved de innstilte temperaturene, starter kompressoren på apparatet regelmessig. Støyen som kommer fra kompressoren blir sterkere når den starter, og et klikk kan høres når den stopper.
 - Ytelsen og driftsfunksjonene til apparatet kan endres ifølge endringene av omgivelsestemperaturen. De må betraktes som normale.
2. Støy som ligner væsker som flyter eller som sprayer
 - Disse lydene forårsakes av flyten av kjølevæsken i kretsen til apparatet og oppfyller driftsprinsippet til apparatet.
3. Andre vibrasjoner og lyder.
 - Støynivået og vibrasjonene kan forårsakes av typen gulv og måten apparatet er plassert på gulvet. Se til at gulvet ikke har betydelige ujevnheter og at det kan håndtere vekten på apparatet (Det er fleksibelt).
 - En annen støykilde og vibrasjoner oppstår fra gjenstander som plasseres på apparatet. Disse gjenstandene må fjernes fra apparatet.

Tekniske data

Merke	GRAM
Modell	FS 3125-90
Apparattype	STÅENDE FRYSER * ** *
Totalt nettovolum (l.)	127
Totalt brukbart volum (l.)	117
Frysekapasitet (kg/24 timer)	10
Energiklasse (1)	A+
Strømforbruk (kWh/år) (2)	210
Autonomi (h)	18
Støy dB (A)	40
Miljøvennlig kjølemiddel R600a	
(1) Energiklasse: A++D (A++ = økonomisk . . . D = mindre økonomisk)	
(2) Det faktiske strømforbruket avhenger av bruksforhold og apparatets plassering.	



Symbolet  på produktet eller på pakningen indikerer at dette produktet ikke skal behandles som husholdningsavfall. I stedet skal det innleveres til riktig avfallsinnsamlingspunkt for resirkulering av elektrisk og elektronisk utstyr. Ved å sikre at dette produktet avhendes på riktig måte, vil du bidra til å forebygge potensielle negative konsekvenser for miljøet og menneskelig helse, hvilket kan være resultatet ved feil avfallshåndtering av dette produktet. For mer detaljert informasjon om resirkulering av dette produktet, vennligst ta kontakt med det lokale kontoret, renholdsverket der du bor eller butikken der du kjøpte produktet.

Onnittelut hankkimastasi GRAM-pakastimesta!

Tärkeitä turvaohjeita

Älä liitä laitetta verkkoon, ennen kuin kaikki pakkausmateriaalit ja kuljetussuojat on poistettu.

- Anna laitteen olla sisätiloissa pystyasennossa ainakin 4 tuntia, ennen kuin kytket sen päälle, jotta kompressoriöljyt asettuvat, jos laitetta on kuljetettu vaakatasossa.
- Mikäli hävität vanhan laitteen, jonka ovenssa on lukko tai salpa, varmista että se on lukkiutumattomassa asennossa, jotteivät lapset jää mahdollisesti loukkuun.
- Laitetta tulee käyttää ainoastaan käyttötarkoitukseensa.
- Älä hävitä laitetta polttamalla. Laitteen eristysmateriaali sisältää freonittomia aineita, jotka ovat herkästi syttyviä. Suosittelemme, että otat yhteyttä paikallisviranomaisiin saadaksesi lisätietoja laitteen hävittämisestä.
- Laitteen käyttöä lämmittämättömissä, kylmissä tiloissa ei suositella (esimerkiksi autotalli, kuisti, lisärakennus, vaja jne.)

On hyvin tärkeää lukea nämä käyttöohjeet huolella saadaksesi laitteesta parhaan mahdollisen hyödyn ja häiriöttömän käytön. Käyttöohjeiden noudattamatta jättäminen saattaa johtaa takuuajan ilmaisen huollon raukeamiseen.

Säilytä käyttöohjeet varmassa paikassa myöhempää käyttöä varten.

Tätä laitetta ei ole tarkoitettu sellaisten henkilöitten käytettäväksi, joilla on heikentyneet fyysiset, tai henkiset kyvyt tai joilta puuttuu kokemusta ja tietoa, jollei heidän turvallisuudestaan vastaava henkilö valvo heitä ja anna heille tietoja laitteen käytöstä.

Pieniä lapsia on valvottava, etteivät he leiki laitteen kanssa.

Sähkötekniset vaatimukset

Ennen kuin laitat pistokkeen pistorasiaan, varmista, että laitteen sisällä olevan tyyppikilven jännite ja taajuus vastaavat saatavilla olevaa verkkovirtaa. Suosittelemme laitteen liittämistä sähköverkkoon helposti saatavilla olevan oikealla tavalla kytketyn ja sulakkeella varustetun pistorasian kautta. Pistokkeen on oltava asentamisen jälkeen tavoitettavissa, jotta laite voidaan asennuksen jälkeen irrottaa pistorasiasta.

Varoitus! Laite täytyy maadoittaa.

Vain valtuutettu huoltohenkilöstö saa korjata sähkölaitteita. Jos verkkokaapeli on vaurioitunut, valmistajan tai asiakaspalvelun on vaihdettava se vaaran välttämiseksi.

HUOMIO!

Laitteen kylmäaineena on R600a, joka on ympäristöystävällinen, mutta syttyvä kaasu. Laitteen kuljetuksen ja asennuksen aikana on varottava vahingoittamasta jäähdytysjärjestelmää. Jos jäähdytysjärjestelmä vaurioituu ja järjestelmästä vuotaa kaasua, pidä laite kaukana avotulesta ja tuuleta tilaa jonkin aikaa.

VAROITUS - Älä käytä sulatusprosessin nopeuttamiseen mekaanisia välineitä tai muita keinoja, jollei valmistaja niin suosittele.

VAROITUS -Älä vaurioita jäähdytysvirtapiiriä.

Kuljetusohjeet

1. Laitetta tulee kuljettaa ainoastaan pystyasennossa. Kuljetuksen aikana mukana tulevan pakkausmateriaalin tulee olla vahingoittumaton.
2. Mikäli laite on kuljetuksen aikana ollut vaakasuorassa asennossa, sitä ei saa käyttää vähintään neljään (12) tuntiin, jotta järjestelmä asettuu paikoilleen.

3. Edellä olevien ohjeiden laiminlyöminen voi aiheuttaa laitevaurion, josta valmistaja ei ole vastuussa.
4. Laite on suojattava sateelta, kosteudelta ja muilta sääolosuhteilta.

Tärkeää!

- Laitteen puhdistuksen ja kuljetuksen aikana on varottava koskettamasta laitteen takana oleviin jäähdyttimen metallilankoihin, sillä ne voivat vahingoittaa käsiä.
- Älä istu tai seiso laitteen päällä, sillä sitä ei ole suunniteltu siihen tarkoitukseen. Voit loukkaantua tai vahingoittaa laitetta.
- Varmista, ettei verkkojohto jää laitteen alle siirron aikana tai sen jälkeen, sillä johto voi vahingoittua.
- Älä anna lasten leikkiä laitteella tai sormeilla säätimiä.

Asennusohjeet

1. Älä pidä laitetta tilassa, jonka lämpötila voi laskea alle 10 °C asteen sillä laite on suunniteltu toimimaan ympäristön lämpötiloissa +10 – +43 °C astetta. Laite ei ehkä toimi matalissa lämpötiloissa, mikä johtaa ruokien säilymisajan alenemiseen.
2. Älä sijoita laitetta liesien tai lämpöpattereiden läheisyyteen tai suoraan auringonvaloon, koska se aiheuttaa ylimääräistä räsitusta laitteen toiminnolle. Mikäli laite asennetaan lämmönlähteen läheisyyteen, noudata seuraavia etäisyysohjeita.
Keittimistä 30 mm
Lämpöpattereista 300 mm
3. Varmista, että laitteen ympärillä on riittävästi tilaa, jotta ilma pääsee kiertämään.
 - Laita jääkaapin taakse välikappaleet saadaksesi jääkaapin ja seinän väliin riittävästi tilaa (**kuva 3**).

4. Laite on sijoitettava tasaiselle alustalle. Kahta etujalkaa voidaan tarpeen mukaan säätää. Varmistaaksesi, että laite on suorassa, säädä kahta etujalkaa kääntämällä joko myötä- tai vastapäivään, kunnes tukeva ote lattiasta on varmistettu. Jalkojen oikea säätö estää liiallisen tärinän ja melun **(kuva 4)**.

5. Katso kohta "Puhdistus ja huolto" valmistellaksesi laitteen käyttöön.

6. Mikäli laite sijoitetaan rinnakkain toisen kylmälaitteen kanssa, on käytettävä asennussettiä, johon kuuluu matto ja koristelista. Matto kiinnitetään laitteen sivulle niin, että kaappien väliin jää hiukan tilaa. Koristelista asennetaan kaappien väliin piilottamaan tyhjä tila **(kuva 2)**. Asennussetin voi hankkia lisävarusteena.

Lämpötilan ohjaus ja säätö

Pakastimen lämpötilaa voi säätää pakastimen lämpötilan säätimellä **(kuva 5) (asennot 2 tai 3 ovat suositeltavia)**.

Pakastimen lämpötila on yleensä alle -18 °C. Matalampiin lämpötiloihin päästään säätämällä termostaattinuppi asentoon MAX.

Suosittelemme tarkistamaan lämpötilan lämpömittarilla, jotta varmistetaan, että säilytyslokerot ovat halutuissa lämpötiloissa. Muista lukea mittari heti, sillä sen lämpötila nousee hyvin nopeasti, kun olet ottanut sen pakastimesta.

Muista, että aina kun ovi avataan, kylmää ilmaa pakenee laitteen ulkopuolelle ja sen sisälämpötila nousee. Siksi ovea ei koskaan saa jättää auki. Varmista myös, että se suljetaan välittömästi, kun ruokatarvikkeet on laitettu sisään tai otettu ulos.

Ennen käyttöönottoa

Lopputarkastus

Ennen kuin otat pakastimen käyttöön, varmista että:

1. Jalat on säädetty oikealle tasolle.
2. Sisätilat ovat kuivia ja ilma voi kierrä vapaasti laitteen takana.
3. Laite on puhdistettu kohdan "Puhdistus ja huolto" ohjeiden mukaan.
4. Pistoke on pistorasiassa ja sähköt on kytketty päälle. Voit asettaa teipin virtakytkimen päälle välttääksesi tahatonta virrankatkaisua.

Ja huomaa, että:

5. Kuulet ääntä, kun kompressori käynnistyy. Jäähdytysjärjestelmän nesteet ja kaasut voivat myös pitää jonkin verran ääntä silloinkin, kun kompressori ei ole käynnissä. Tämä on aivan normaalia.

6. Käytä tuoreiden elintarvikkeiden pakastukseen osastoa, joka on merkitty neljällä tähdellä.

7. Älä laita pakastimeen liian paljon elintarvikkeita yhtä aikaa. Elintarvikkeiden laatu säilyy parhaiten, jos ne pakastetaan lyhyimmässä mahdollisessa ajassa. Sen vuoksi on suositeltavaa, ettei kohdassa "Tekniset tiedot" osoitettua pakastuskykyä ylitetä. Alimman lämpötilan saavuttamiseksi termostaatti on säädettävä pikapakastustoiminnolle, jolloin oranssi valo syttyy.

8. Kun tuoreen ruuan pakastamiseen tarvittava aika on kulunut, aseta termostaattinuppi keskiasentoon (oranssi valo ei pala).

9. Älä täytä laitetta heti, kun se laitettu päälle. Odota, että oikea säilytyslämpötila on saavutettu. Suosittelemme lämpötilan tarkistamista tarkalla lämpömittarilla (katso kohta Lämpötilan ohjaus ja säätö).

Tärkeää:

Mikäli tulee virtakatkos, älä avaa ovea. Pakastetut ruuat pysyvät hyvinä, mikäli sähkökatkos kestää alle 18 tuntia. Jos katkos kestää kauemmin, ruoan kunto on tarkistettava.

Pakastimen ohjauspaneeli

Kuva 5

Ohjauspaneelista säädetään pakastimen toimintaa. Siinä on seuraavat toiminnot:

1 - Oranssi merkkivalo - Pikapakastus päällä

Kun kierrät pakastuslämpötilan säätimen (4) maksimiasentoon, oranssi merkkivalo (1) syttyy ja kompressori käy jatkuvasti. Muista kääntää termostaattivalitsin takaisin edelliseen asentoon, kun ruoka on jäätynyt.

2 - Vihreä merkkivalo - sähkö päällä (Jännite)

Sytyy, kun laite on liitetty verkkovirtaan ja palaa niin kauan, kun verkkovirtaa on saatavilla. Vihreä merkkivalo ei kerro mitään lämpötilasta pakastimen sisällä.

3 - Punainen merkkivalo - Korkean lämpötilan varoitus

4 - Lämpötilan asetuspainike

Korkean lämpötilan hälytys

Kun laite kytketään päälle ensimmäistä kertaa, hälytys ei ole aktiivinen 12 tuntiin (punainen merkkivalo on pois päältä).

Tämän ajan jälkeen punainen valo voi syttyä seuraavissa tapauksissa:

- Jos laite on ylikuormitettu tuoreilla elintarvikkeilla

- Jos ovi on jätetty vahingossa auki.

Näissä tapauksissa punainen merkkivalo palaa, kunnes laite saavuttaa esiasetetun lämpötilan. Jos punainen merkkivalo palaa, odota 24 tuntia ennen kuin otat yhteyttä GRAM-huoltoon.

Tärkeää:

Saavutetut pakastinlämpötilat voivat vaihdella laitteen käyttöolosuhteiden mukaan, kuten: sijainti, ympäristön lämpötila, oven aukaisutiheys, ruoan täyttöaste. Lämpötila-asetukset voivat muuttua näiden olosuhteiden mukaan.

Korkean lämpötilan hälytyksen (punainen merkkivalo) tulisi sammua 24 tunnin käytön jälkeen.

Pikapakastustoiminto

Kun kierrät pakastuslämpötilan säätimen (4) maksimiasentoon, oranssi merkkivalo (1) syttyy ja kompressori käy jatkuvasti.

Pakastetun ruuan säilyttäminen

Pakastimesi soveltuu pakastettujen ruokien pitkäaikaiseen säilytykseen ja sitä voi käyttää myös tuoreen ruuan pakastamiseen ja säilytykseen.

Tuoreen ruoan pakastaminen

Parhaan tuloksen saamiseksi noudata seuraavia ohjeita.

Älä pakasta liian isoja määriä kerralla. Ruoan laatu säilyy parhaiten, kun se pakastetaan niin nopeasti kuin mahdollista.

Jos pakastetaan suuri määrä tuoretta ruokaa, säädä termostaatti MAX-asentoon 24 tuntia ennen ruuan laittamista pikapakastusosastoon.

On vahvasti suositeltavaa pitää säädintä MAX.-asennossa vähintään 24 tuntia, jotta tuoretta ruokaa voidaan pakastaa pakastuskyvyn mukainen maksimimäärä.

Muista kääntää termostaattivalitsin takaisin edelliseen asentoon, kun ruoka on jäätynyt.

Pieniä ruokamääriä (enintään ½ kg) voidaan pakastaa ilman pikapakastustoimintoa.

Vältä sekoittamista jo pakastettuja ja pakastamattomia ruokia.

Jääpalojen teko

(Kuva 6)

Täytä jääpalarasia $\frac{3}{4}$ täyteen vettä ja laita se pakastimeen. Irrota kiinni jäätynyt rasia lusikan varrella tai samantyyppisellä välineellä, älä koskaan käytä teräviä esineitä, kuten haarukoita tai veitsiä.

Laitteen osat

(kohta 1)

- 1 - Ohjauspaneeli, näyttö ja säätö
- 2 - Pakastustarjotin ja jääpalalokero
- 3 - Pakasteiden säilytysosasto
- 4 - Säädettävät etujalat

Sulatus

Sulata pakastin vähintään kahdesti vuodessa, tai kun jääkerros on liian paksu.

- Jään kertyminen on normaali ilmiö.
- Jään kertyminen, erityisesti osaston yläosaan, on luonnollinen ilmiö eikä se vaikuta laitteen normaaliin toimintaan.
- On suositeltavaa sulattaa laite, kun pakastettua ruokaa on pakastimessa vähän.
- Aseta termostaatin säädin ennen sulattamista MAX-asentoon, jotta pakasteet pysyisivät mahdollisimman kylminä.
- Irrota pistoke pistorasiasta.
- Poista pakastettu ruoka, pakkaa se sanomalehtikääreiden sisään ja aseta kylmään paikkaan.
- Jätä ovi auki sulattamisen nopeuttamiseksi ja aseta sisään astioita, joissa on kuumaa vettä (enintään 80 °C).

Älä käytä huurteen poistamiseen teräväkärkisiä tai teräväreunaisia esineitä, kuten veitsiä tai haarukoita.

Älä koskaan käytä sulatukseen hiustenkuivaajia, sähkölämmittimiä tai muita vastaavia sähkölaitteita.

Kun sulatus on valmis, kuivaa sisäpuoli huolellisesti ja sulje pakastinosasto

(Kohta 7).

Paina pikapakastuskytkintä ja jätä se päälle noin kolmeksi tunniksi.

Ota vetolaatikot pois pakastimesta **kuvassa 8 kuvatulla tavalla.**

Puhdistus ja huolto

1. Suosittelemme, että ennen puhdistusta kytket virran pois ja irrotat pistokkeen.
2. Älä koskaan käytä puhdistamiseen teräviä välineitä tai hankausaineita, saippuaa, puhdistusainetta, pesuainetta tai vaha.
3. Käytä laitteen sisätilojen puhdistukseen haaleaa vettä ja kuivaa ne.
4. Käytä sisätilojen puhdistukseen liinaa, joka on kostutettu 1 tl ruokasoodaa ja 1/2 litraa vettä sisältävässä liuoksessa ja puristettu kuivaksi, kuivaa lopuksi.
5. Mikäli laitetta ei käytetä pitkään aikaan, kytke se pois päältä, poista kaikki ruuat, puhdista laite ja jätä ovi auki.
6. Suosittelemme, että kiillotat laitteen metalliosat (eli oven ulkopuolen, kaapin kyljet) autonkiillotusvahalla suojellaksesi korkealaatuista maaliviimeistelyä.
7. Laitteen takaosaan kertyvä pöly pitää imuroida pois kerran vuodessa.
8. Tarkista oven eristeet säännöllisesti varmistaaksesi, että ne ovat puhtaita ja.
9. Älä koskaan:
 - Puhdista laitetta sopimattomalla aineella esim. öljypohjaisilla tuotteilla.
 - Altista laitetta korkeille lämpötiloille.
 - Hankaa hankausaineilla.
10. Liiallinen jää on poistettava säännöllisesti. Suuri jääkertymä heikentää pakastimen toimintaa.
11. Irrottaaksesi laatikon vedä se niin ulos kuin mahdollista, nosta vinoittain ylöspäin ja vedä se kokonaan pois.

Oven kätisyyden vaihto

Etene numerojärjestyksessä **(kuva 9).**

Tärkeää!

Muista - tarkista säännöllisesti pakastimen sisältö.

Muista - puhdista ja sulata laite säännöllisesti (katso "Sulatus")

Muista - säilytä ruokaa mahdollisimman vähän aikaa ja noudata parasta ennen - ja käytettävä viimeistään -päiväyksiä.

Muista - säilytä pakasteet pakkauksen ohjeiden mukaan.

Muista - jaa pakastettava ruoka pieniin annoksiin varmistaaksesi nopean jäätyksen.

Muista - pakkaa pakasteruoka heti oston jälkeen ja laita pakastimeen niin pian kuin mahdollista.

Älä jätä ovea auki pitkiksi ajoiksi, sillä se tekee laitteen käytön kalliimmaksi ja voi aiheuttaa jään ylikertymistä.

Älä käytä teräväkärkisiä tai teräviä esineitä, kuten veitsiä tai haarukoita, jään poistamiseen.

Älä laita pakastimeen nestettä sisältäviä pulloja tai purkkeja, joissa on hiilihapollista nestettä, sillä ne voivat särkyä.

Älä säilytä myrkyllisiä tai vaarallisia aineita laitteessa. Se on tarkoitettu ainoastaan elintarvikkeiden säilytykseen.

Älä ylitä maksimipakastusmäärää, kun pakastat tuoretta ruokaa.

Älä anna lapsille jäätelöä tai mehujäätä suoraan pakastimesta. Matala lämpötila voi aiheuttaa jään polttamia huuliin.

Älä pakasta hiilihapollisia juomia.

Älä säilytä pakasteruokaa, joka on sulatettu. Se tulee syödä 24 tunnin kuluessa sulatuksesta tai se on kypsennettävä ja pakastettava uudelleen.

Vianetsintä

Mikäli laite ei toimi, kun se kytketään päälle, tarkista:

- Onko pistoke kunnolla pistorasiassa ja virta päällä. (Tarkistaaksesi pistokkeen teholähteen liitä pistorasiaan toinen laite)
- Onko sulake palanut/katkaisija lauennut/pääkatkaisija kytketty pois päältä.
- Onko lämpötilan säädin säädetty oikein.
- Mikäli olet vaihtanut pistokkeen, että uuden pistokkeen johdot on oikein.

Mikäli laite ei edelleenkään toimi tarkistusten jälkeen, ota yhteys GRAM-huoltoon.

Varmista, että edellä mainitut tarkistukset on tehty, sillä toimivan laitteen tarkastamisesta otetaan maksu.

Energian kulutus

Pakastetun ruoan enimmäissäilytystila saadaan aikaan, kun ei käytetä pakasteosaston kahta keskilokeroa ja ylähyllyn suojusta. Laitteen energian kulutus on ilmoitettu pakastinosaston ollessa täyteen täytetty ilman pakasteosaston kahta keskilokeroa ja ylähyllyn suojusta.

Käytännön neuvoja sähkönkulutuksen vähentämiseen

1. Varmista, että laite on sijoitettu hyvin tuuletettuun tilaan, etäälle kaikista lämmönlähteistä (liesi, lämpöpatteri jne.). Lisäksi laite on sijoitettava niin, että se ei ole suorassa auringonpaisteessa.
2. Varmista, että jäädytetty/pakastettu ruoka sijoitetaan laitteeseen mahdollisimman pian, varsinkin kesäaikana. Ruoan kuljettamisessa kotiin suositellaan käytettävän lämpöeristettyjä laukkuja.
3. Suosittelemme vähentämään ovien avausmäärän minimiin.
4. Älä pidä laitteen ovea auki enempää kuin on tarpeellista, ja varmista että ovi suljetaan hyvin jokaisen avaamisen jälkeen.


Tietoja laitteen käytön aikana mahdollisesti kuuluvista äänistä ja tärinästä

1. Käyttöäni voi lisääntyä käytön aikana.
 - Jotta lämpötila pysyy säädettyssä arvossa, laitteen kompressori käynnistyy ajoittain. Kompressorin tuottama ääni voimistuu käynnistyessään ja sen pysähtyessä voi kuulua naksahdus.
 - Laitteen suorituskyky ja toiminnot voivat vaihdella ympäröivän lämpötilan vaihteluiden mukaan. Ne ovat normaaleja ilmiöitä.
2. Virtaavaa tai suihkutettavaa nestettä muistuttavat äänet.
 - Nämä äänet aiheutuvat jäähdytysaineen virtaamisesta laitteen kylmäainekierrossa ja ovat laitteen toimintaperiaatteen mukaisia.
3. Muut tärinät ja äänet.
 - Voimakas ääni ja tärinä saattavat johtua laitteen sijoituspaikan lattian tyypistä ja kunnosta. Varmista, ettei lattiassa ole merkittäviä tasovaihteluita, tai ettei se taivu laitteen painosta (ole joustava).
 - Muita ääniä ja tärinöitä aiheuttavia syitä ovat laitteen päälle asetetut esineet. Nämä esineet on poistettava.

Tekniset tiedot

Merkki	GRAM
Malli	FS 3125-90
Laitetyyppi	KAAPPIPAKASTIN * ** *
Bruttotilavuus (l)	127
Nettotilavuus (l)	117
Pakastuskyky (kg/vrk)	10
Energialuokka (1)	A+
Energiankulutus (kWh/vuosi) (2)	210
Turvallinen sähkökatkosaika tunteina	18
Käyntiääni dB(A)	40
Ympäristöystävällinen kylmäaine R600a	
(1) Energialuokka: A++D (A++ = taloudellinen . . . D = vähemmän taloudellinen)	
(2) Todellinen virrankulutus vaihtelee käyttöolosuhteiden ja laitteen sijoituspaikan mukaan.	



Tuotteen pakkauksessa oleva  merkintä tarkoittaa, että laitetta ei saa käsitellä kotitalousjätteenä. Sen sijaan se on toimitettava elektroniikka- ja sähkölaiteromun kierrätyspisteeseen. Varmistamalla tuotteen oikea hävittäminen autat estämään mahdollisia haitallisia vaikutuksia ympäristölle ja ihmisten terveydelle, joita saattaisi aiheutua laitteen väärästä hävittämistavasta. Lisätietoja laitteen kierrättämisestä saa kunnalliselta jätehuollolta, jätehuoltopalvelulta tai liikkeestä, josta ostit tuotteen.

Gram Norge A/S

Vestvollveien 30 A
NO-2019 Skedsmokorset
www.gram.no

Gram Sverige AB

Box 9101
SE-200 39 Malmö
www.gram.se

Gram Finland OY

PL 4640
FI-00002 Helsinki
www.gram.fi



Gram A/S
Aage Grams Vej 1
DK-6500 Vojens
www.gram.dk